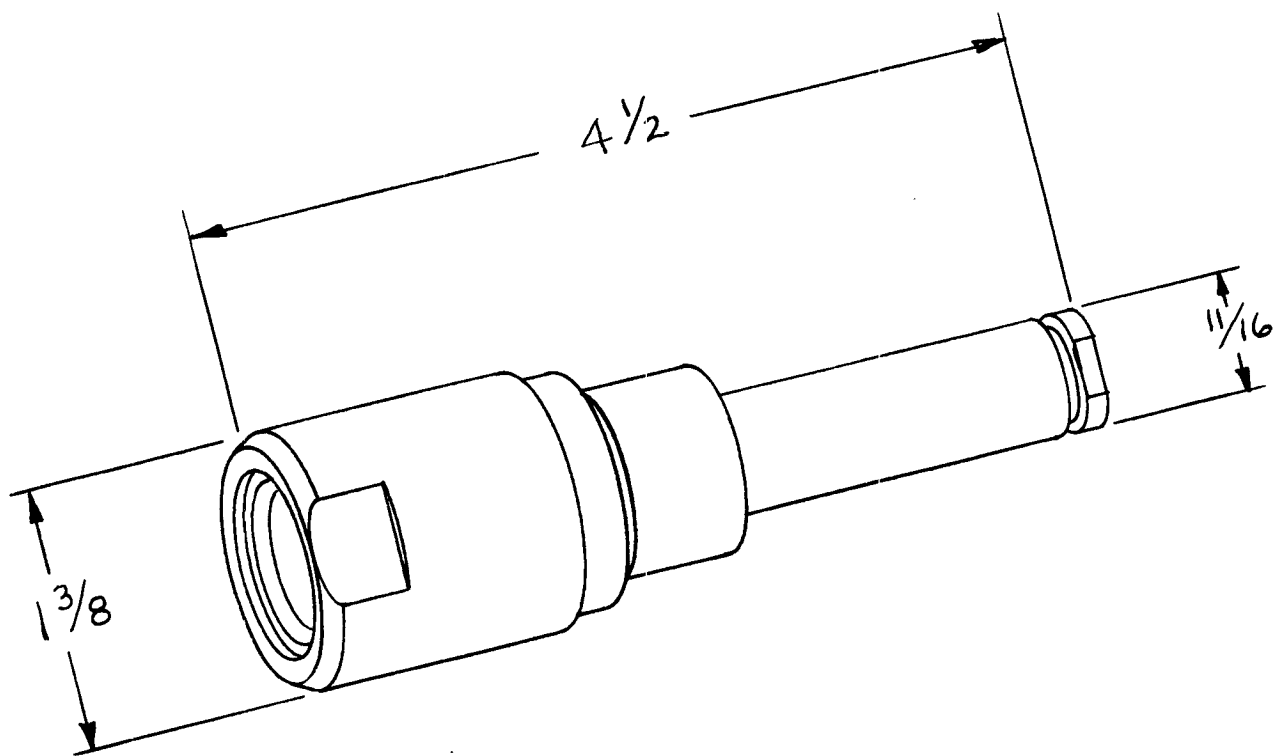


REQ. PER. UNIT	USED ON			SA-113
	MODEL	ASSY. N.	DATE	



								REQ.	ITEM	PART NO.	DESCRIPTION		SYMBOL
										THE TECHNICAL MATERIEL CORP. MAMARONECK, NEW YORK			
								STOCK SIZE		CABLE REDUCER			
								MATERIAL		RG-35, 164/U TO RG-11, 12, 13/U			
ISSUE	ITEM	CHANGED FROM	DATE	CH. NO.	DRAFTS	CHECKER	ENG. APP.			MJT			
TOLERANCES			SCALE: S-401-70-2703							9-12-61			
DEC. DIM. ±			MAXIMUM ALLOWABLE TOLERANCES HAVE BEEN DETERMINED AND ANY DEVIATIONS WILL BE CAUSE FOR REJECTION. REMOVE ALL BURRS AND SHARP EDGES					TYPE & TEMPER	HEAT TREAT. SPEC.	DRAWN	CHECKED	FINAL APPROVAL	
FRAC. DIM. ±													
ANGULAR DIM. ±								FINISH & SPEC. NO.		ELEC. DES. APP	MECH. DES. APP		