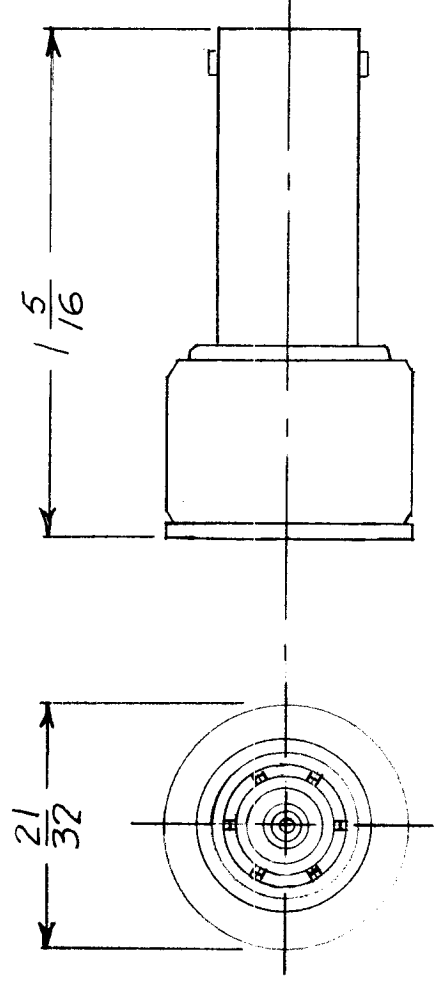


APPLICATION			REVISIONS						
QTY	MODEL USED ON	ASS'Y NO	LTR	DESCRIPTION	DATE	E.M.N.NO	DRAFT	CHKD	APFD
			X	EXP. RELEASE	2.6.68		AS		GM
			Ø	ORIG. RELEASE FOR PROD.	1-9-69	Ø	R.G.		JS



DIELECTRIC: TEFLON

UNLESS OTHERWISE SPECIFIED DIMENSIONS ARE IN INCHES AND INCLUDE CHEMICALLY APPLIED OR PLATED FINISHES	REQ'D ITEM	PART NUMBER	DESCRIPTION	SYM.
DECIMALS X ± .05 TOLS. 1/64 .XX ± .01 ANGLES .XXX ± .005 0°-30°	A. MARTINENGO LIST OF MATERIAL			
MATERIAL	FINAL APPROVAL	DATE	THE TECHNICAL MATERIEL CORP. MAMARONECK, NEW YORK	
FINISH	MECH. DES.	DATE	ADAPTER, QDM(M)-BNC(F)	
S401-70(2964)	ELECT. DES.	DATE	SIZE	CODE IDENT. NO.
	CHECKED	DATE	A	82679
	DRAWN	DATE	SCALE	DWG NO.
				SA 125
NOTICE TO PERSONS RECEIVING THIS DRAWING THE TECHNICAL MATERIEL CORPORATION claims proprietary right in the material disclosed hereon. This drawing is issued in confidence for engineering information only and may not be reproduced or used to manufacture anything shown hereon without permission from THE TECHNICAL MATERIEL CORPORATION to the user. This drawing is loaned for mutual assistance and is subject to recall at any time.			ISSUE	Ø
			SHEET	OF