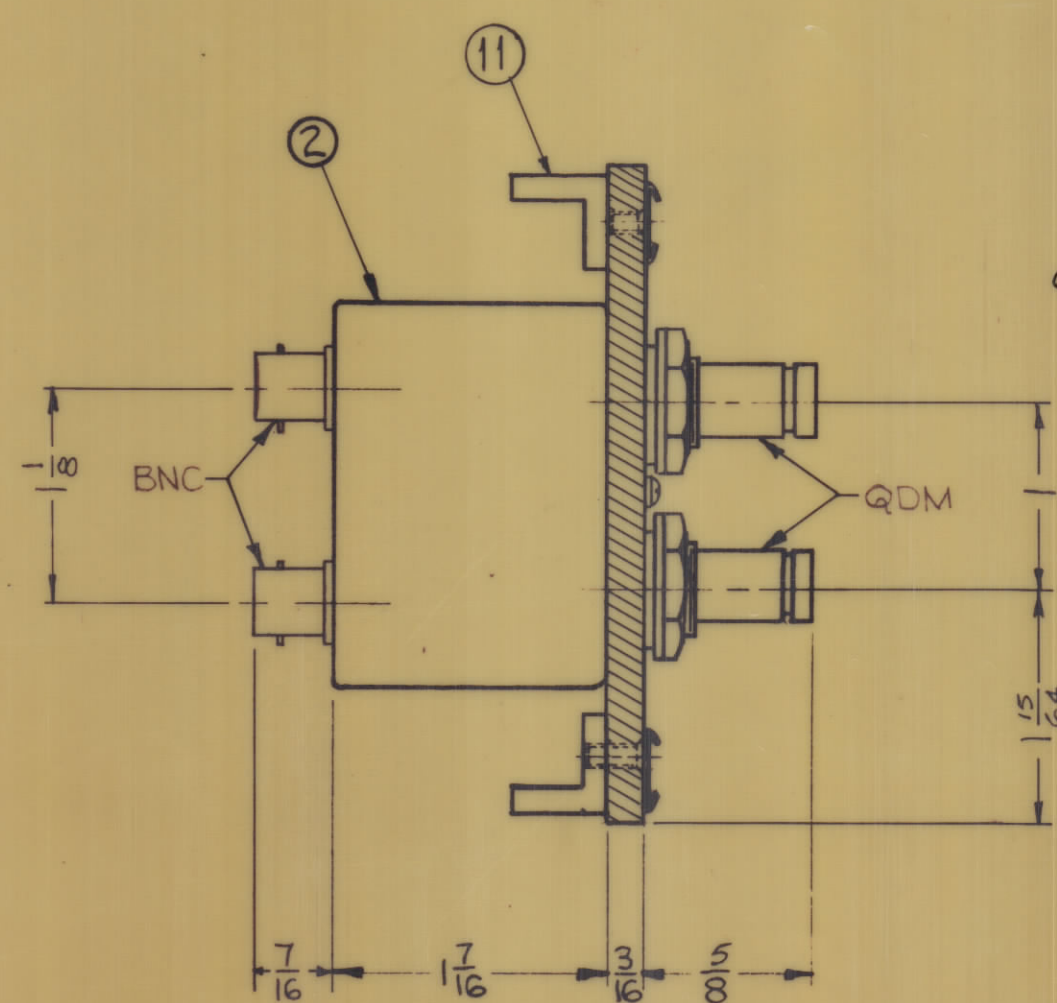
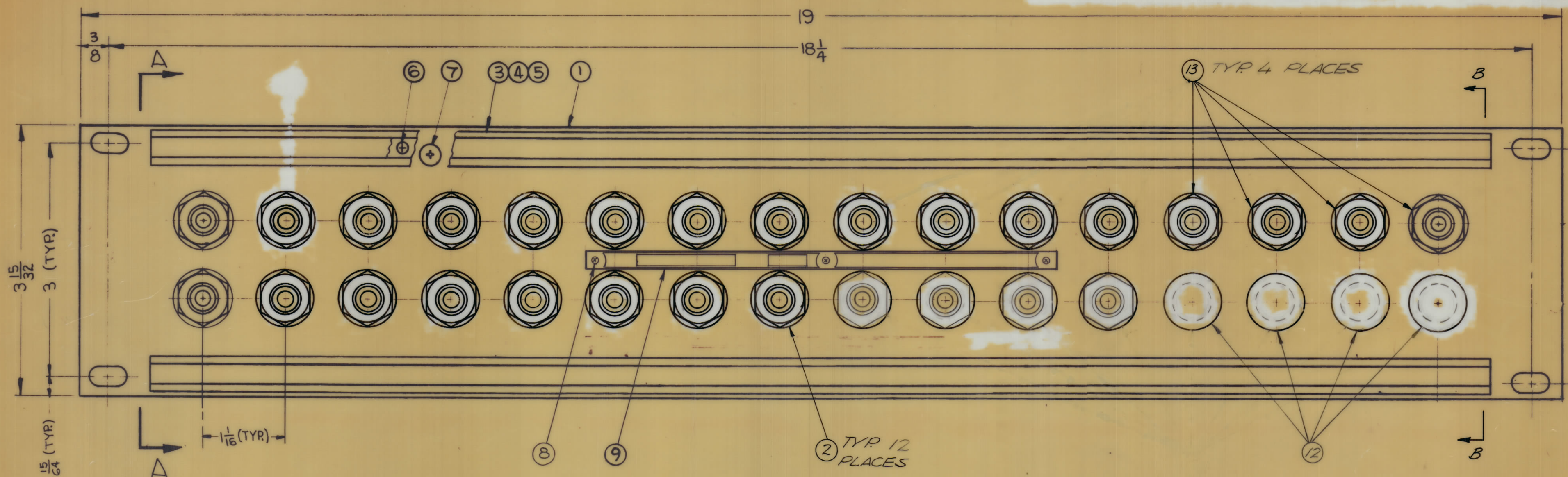
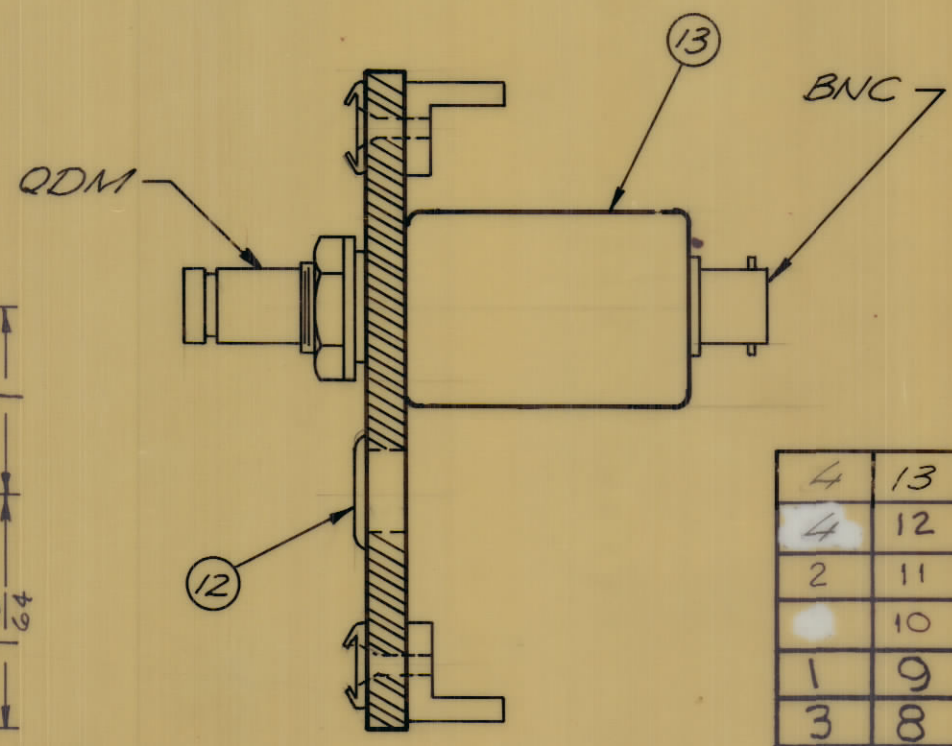


| REVISIONS | | | | | | REVISIONS | | | | | | | | | |
|-----------|-----|---|--------|------------|-------|-----------|------|------|-----|---------------------------------|---------|------------|-------|------|------|
| ZONE | SYM | DESCRIPTION | DATE | E.M.N. NO. | DRAFT | CHKD | APPD | ZONE | SYM | DESCRIPTION | DATE | E.M.N. NO. | DRAFT | CHKD | APPD |
| A | | IT. 2 CHG TO QTY 12, IT. 13 CHG QTY TO 4 IT. 12 CHG TO QTY 4 | 4/7/70 | 19966 | GE | W | FBO | | X | EXP RELEASE | 4-13-70 | | GE | | |
| | | | | | | | | | Ø | ORIGINAL RELEASE FOR PRODUCTION | 4/14/70 | | W | | |



SIDE VIEW A-A



SIDE VIEW B-B

NOTES:
 1- SWITCHES (ITEM 2) ARE MOUNTED FROM LEFT TO RIGHT.
 2- WHEN SWITCH MOUNTING HOLES ARE NOT UTILIZED, PLUG BUTTONS (ITEM 12) ARE MOUNTED ON FACE OF PANEL.

| REQ'D. | ITEM | PART NUMBER | DESCRIPTION | SYMBOL |
|--------|------|-------------|---------------------------|--------|
| 4 | 13 | SW 346 | SWITCH | |
| 4 | 12 | HB-101-11-G | PLUG, BUTTON | |
| 2 | 11 | PM-486 | BRACE, PANEL | |
| | 10 | DELETED | | |
| 1 | 9 | NP251 | NAMEPLATE, IDENTIFICATION | |
| 3 | 8 | SFBP0256SN3 | SCREW, THREAD CUTTING | |
| 12 | 7 | SCFP0632BN5 | SCREW, MACHINE | |
| 12 | 6 | SCFP0348BN3 | SCREW, MACHINE | |
| 2 | 5 | PX-396-17 | GUARD, TAB | |
| 2 | 4 | PR-101-17 | TAP, PAPER | |
| 2 | 3 | MS-1184 | HOLDER, CARD | |
| 12 | 2 | SW-311 | SWITCH, JACK ASSEMBLY | |
| 1 | 1 | MS-2975 | MACHINING, FRONT PANEL | |

| LIST OF MATERIAL | | | |
|---|---|--|-------------------------------|
| MATERIAL | ALUMINUM 19x3 15/32 x 3/16 THK | THE TECHNICAL MATERIEL CORP. MAMARONECK, NEW YORK | |
| FINISH | S115 TMC SMOOTH GREY ENAMEL | TITLE PANEL, PATCH R.F. SWITCHING | |
| UNLESS OTHERWISE SPECIFIED DIMENSIONS ARE IN INCHES AND INCLUDE CHEMICALLY APPLIED OR PLATED FINISHES | DRAWN GE. | DATE 4-13-70 | FINAL APPROVAL [Signature] |
| DECIMALS .X ± .05 .XX ± .01 .XXX ± .005 | FRACTIONS ± 1/64 ANGLES ± 0° 30' | CHECKED [Signature] | DATE 4-14-70 |
| TOLERANCES | | ELECT. DES [Signature] | DATE 4-14-70 |
| | | MECH. DES [Signature] | DATE 4-14-70 |

| QTY/UNIT | MODEL USED ON | ASS'Y. NO. |
|---|---------------|------------|
| DO NOT SCALE | CODE | |
| THE CONTENTS OF THIS DRAWING ARE THE EXCLUSIVE PROPERTY OF THE TECHNICAL MATERIEL CORP. ITS UNAUTHORIZED USE OR REPRODUCTION IN WHOLE OR IN PART IS STRICTLY FORBIDDEN. | | |

NOTES

SPP-20Y
A