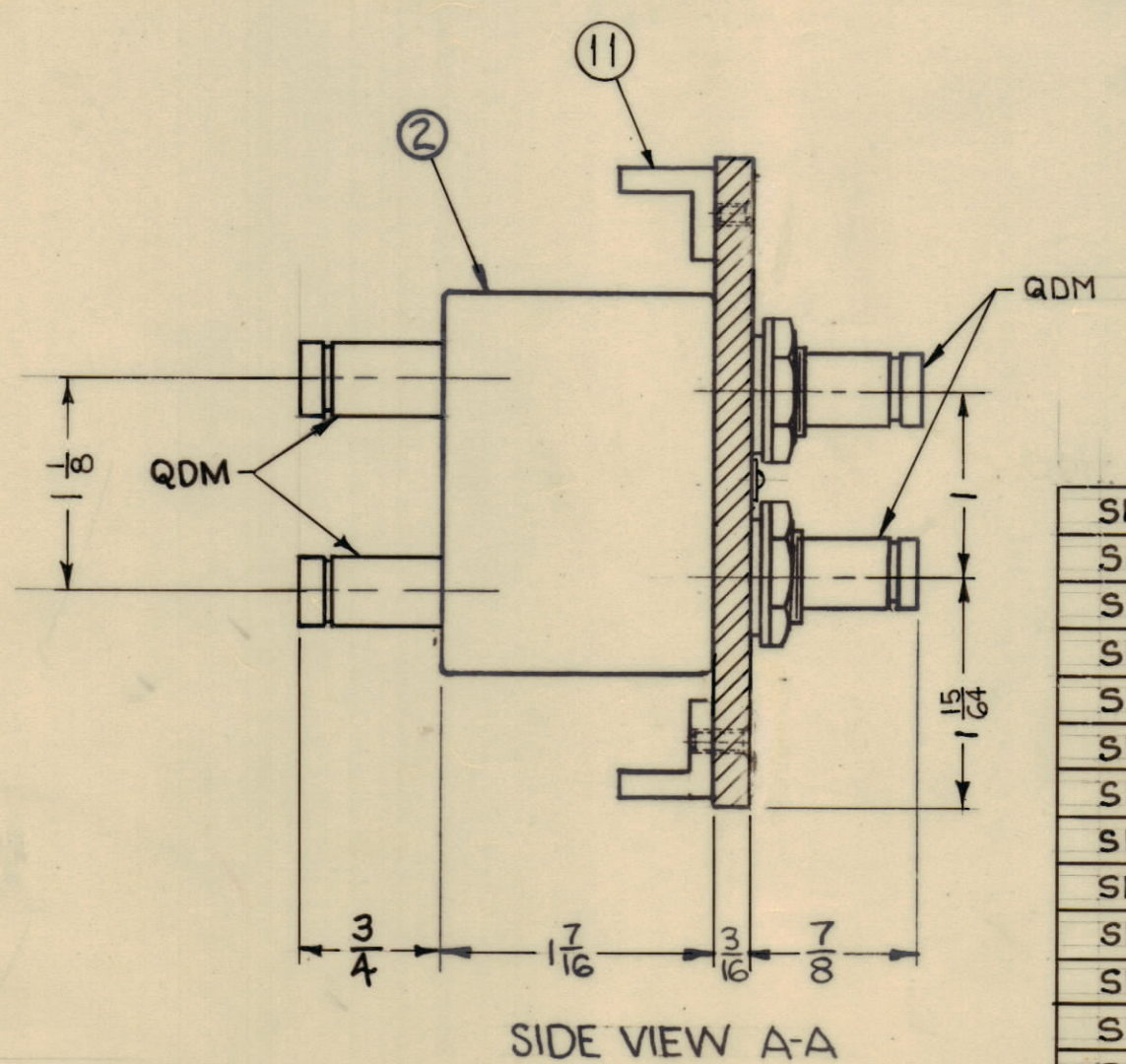
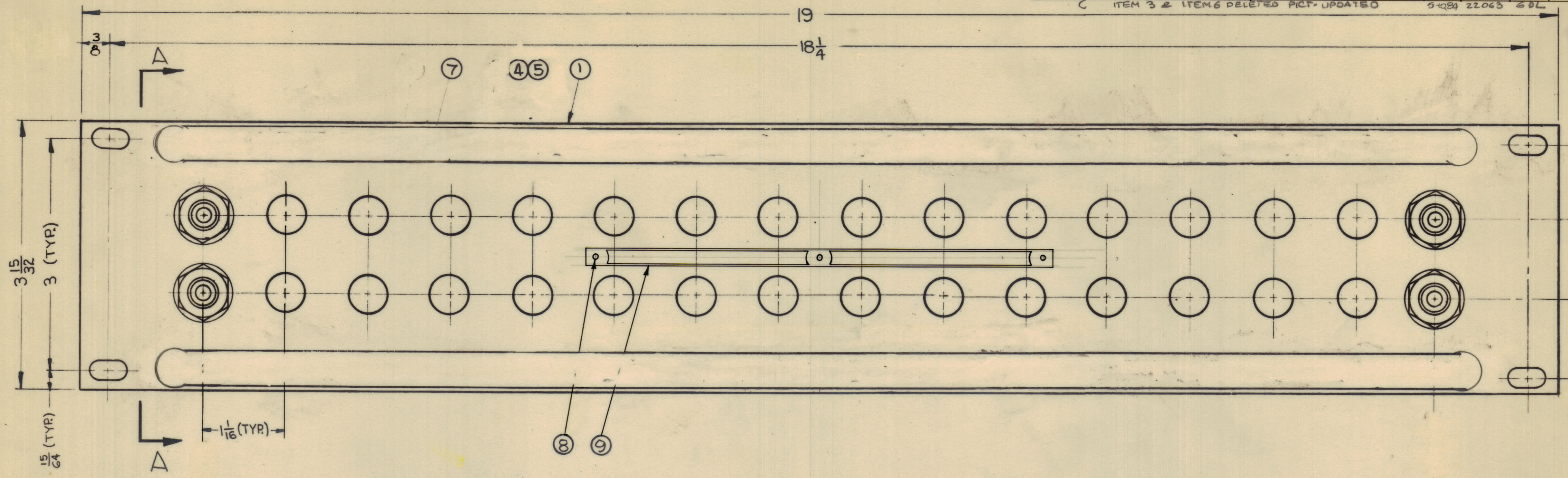


REVISIONS						
ZONE	SYM	DESCRIPTION	DATE	E.M.N. NO.	DRAFT	CHKD
C2	A	ITEM (11) ADDED	10-10-62	7406	SS	File
B2, B4, C5	B	ADDED NOTES, MODEL CHART, ITEM (12), DIMS CLARIFIED	3-19-63	8502	RC	File
B2, C2		ITEM (2) QTY WAS 16, ITEM (9) WAS "SEE NAMEPLATE NOTE"				
A7, F4	C	NAMEPLATE NOTE DELETED, NAMEPLATE LOCATION CORRECTED				
		ITEM 3 & ITEM 6 DELETED PICT. UPDATED	5-10-64	22063	6DL	



SPP-40316	16	0
SPP-40315	15	2
SPP-40314	14	4
SPP-40313	13	6
SPP-40312	12	8
SPP-40311	11	10
SPP-40310	10	12
SPP-4039	9	14
SPP-4038	8	16
SPP-4037	7	18
SPP-4036	6	20
SPP-4035	5	22
SPP-4034	4	24
SPP-4033	3	26
SPP-4032	2	28
SPP-4031	1	30
MODEL	QUANTITY ITEM 2	QUANTITY ITEM 12

SEE CHART	ITEM	PART NUMBER	DESCRIPTION	SYMBOL
12		HB-101-11-G	PLUG, BUTTON	
2	11	PM-486	BRACE PANEL	
X	10	S-391	TEST PROCEDURE	
1	9	NP-251	NAMEPLATE, IDENTIFICATION	
3	8	SFBPO2565N3	SCREW, THREAD CUTTING	
12	7	SCFPO632BN5	SCREW, MACHINE	
	6			
2	5	PX-396-17	GUARD, TAB	
2	4	PR-101-17	TAP, PAPER	
	3			
2	2	SW-318	SWITCH, JACK ASSEMBLY	
1	1	MS-2975	MACHINING, FRONT PANEL	

- NOTES:
1. SWITCHES (ITEM 2) ARE MOUNTED FROM LEFT TO RIGHT.
  2. WHEN SWITCH MOUNTING HOLES ARE NOT UTILIZED, PLUG BUTTONS (ITEM 12) ARE MOUNTED ON FACE OF PANEL.
  3. REFER TO CHART FOR APPLICATION OF PLUG BUTTONS (ITEM 12) WHEN REQUIRED.

SEE CHART		
Q'TY./UNIT	MODEL USED ON	ASSY. NO.
SCALE	CODE	
DO NOT SCALE		

THE CONTENTS OF THIS DRAWING ARE THE EXCLUSIVE PROPERTY OF THE TECHNICAL MATERIEL CORP. ITS UNAUTHORIZED USE OR REPRODUCTION IN WHOLE OR IN PART IS STRICTLY FORBIDDEN.

LIST OF MATERIAL	
MATERIAL	ALUMINUM 19 x 3 15/32 x 3/16
FINISH	SI15 TMC SMOOTH GREY ENAMEL
UNLESS OTHERWISE SPECIFIED DIMENSIONS ARE IN INCHES AND INCLUDE CHEMICALLY APPLIED OR PLATED FINISHES	
DECIMALS	FRACTIONS
.X ± .05	± 1/64
.XX ± .01	± 1/84
.XXX ± .005	± 0° 30'

THE TECHNICAL MATERIEL CORP.	
MAMARONECK, NEW YORK	
TITLE	
PANEL, PATCH R.F. SWITCHING	
DRAWN	DATE
R. Lurchin	6-13-62
CHECKED	DATE
File	6-26-62
ELECT. DES.	DATE
File	6/28/62
MECH. DES.	DATE
File	6/28/62

FINAL APPROVAL	DATE
File	6/28/62
SPP-40316	
C	REV. LTR.

SPP-40316