

SW-107

OAK TYPE F SWITCH

4-40 THREAD

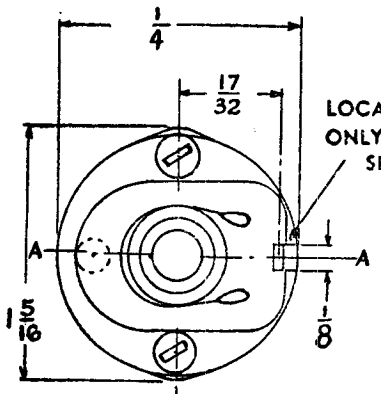
CUSTOMER'S SW-107
PART NO.

THE TECHNICAL MATERIAL
CORPORATION

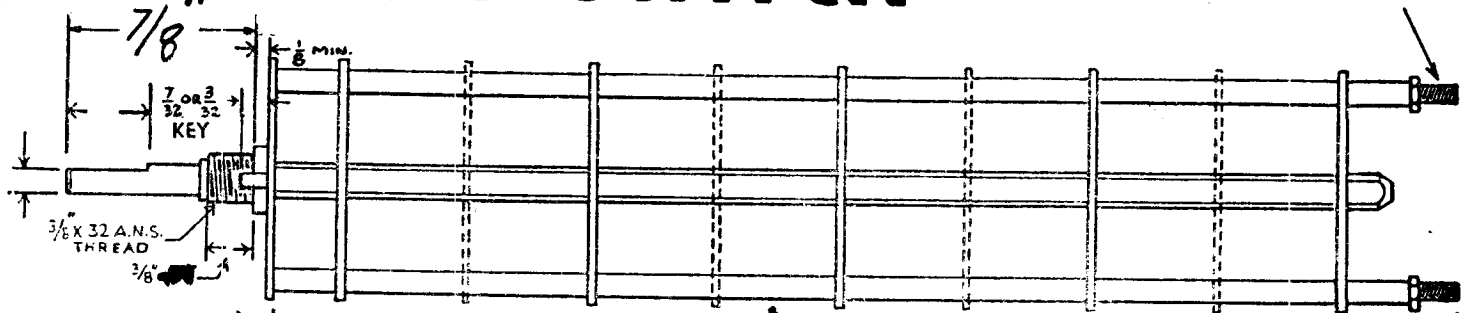
121 SPENCER PLACE
MAMARONECK, N. Y.

CUSTOMER

OAK MANUFACTURING CO.
1260 CLYBORN AVE., CHICAGO 10, ILL.



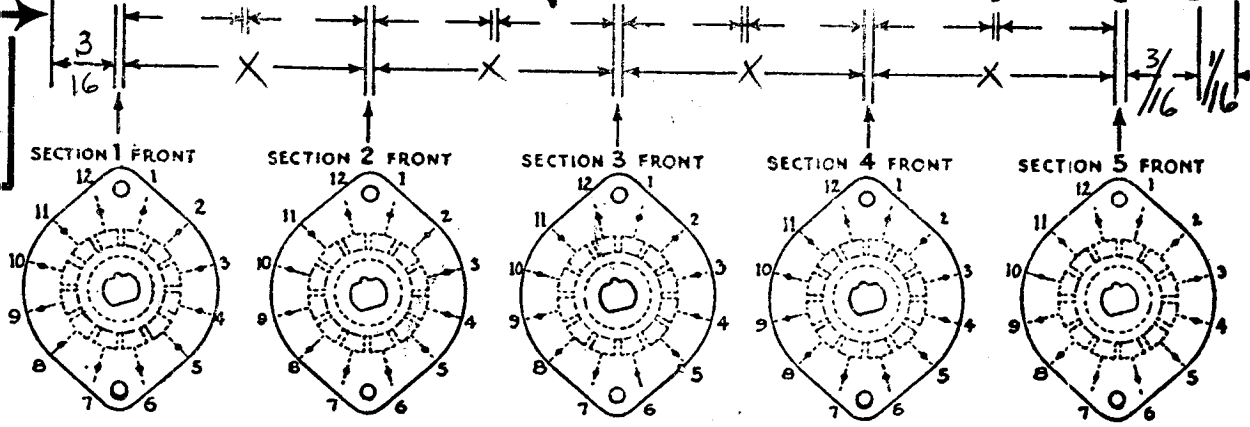
LOCATING KEY ONLY AT POINT SHOWN



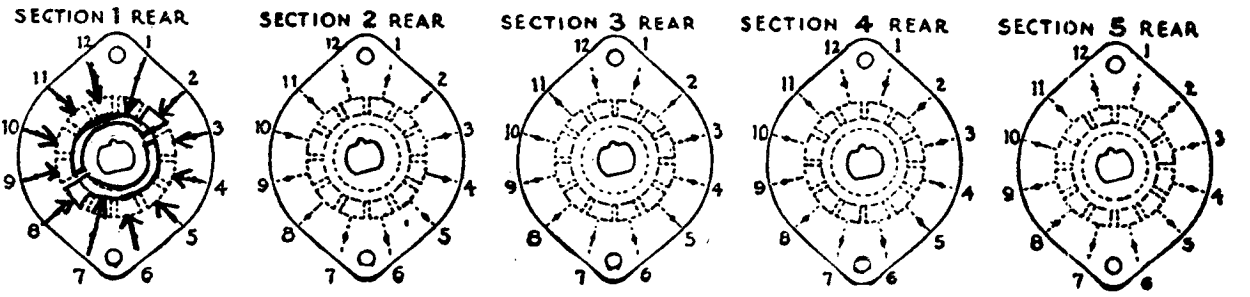
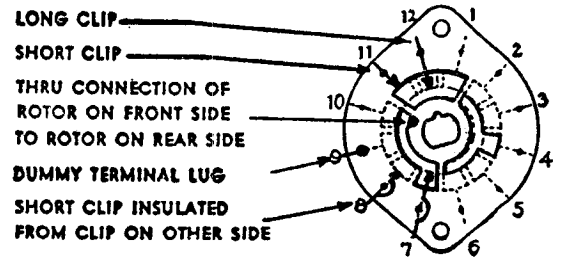
SHOW CUT AWAY PORTION OF FLAT IN BLACK AND GIVE ANGLE TO LINE A-A. $\pm 3^\circ$ STANDARD RMA KNURLED AND SLOTTED SHAFT ALSO AVAILABLE

FRONT AND REAR OF SECTIONS VIEWED FROM FRONT OR KNOB END OF SWITCH IN EXTREME COUNTER-CLOCKWISE POSITION

NUMBER OF SECTIONS 5
NUMBER OF POSITIONS 5
ANGLE OF THROW 30 (30° OR 60°)



SYMBOLS USED IN MARKING PRINT



OUTLINE ROTOR BLADES AS SHOWN ABOVE WITH SWITCH IN EXTREME COUNTER-CLOCKWISE POSITION

SPECIFICATIONS

SHORTING TYPE CONTACTS NON-SHORTING IF NOT SPECIFIED SHORTING TYPE WILL BE SUPPLIED.
 INSULATION: 1/16" BAKELITE 3/8" MYCALEX SPECIFY IMPREGNATION IF REQUIRED.
 FINISH REQUIREMENTS: COMMERCIAL ARMY NAVY SALT TEST (IF ANY GIVE DETAILS) 200 HR
 CONTACTS AND ROTORS: SILVER PLATED BRASS SOLID SILVER ALLOY IF NOT SPECIFIED SILVER PLATED BRASS WILL BE SUPPLIED.
 MOUNTING HARDWARE: SUPPLY 1 1/2" - 32 NUTS 1/2" ACROSS FLATS; MATERIAL BR PLATING NP
1 3/8" INTERNAL TOOTH LOCKWASHER; MATERIAL BR PLATING NP
 STAMP PART NUMBER SW 107-B ON FRONT PLATE, YES N

CUSTOMER NOTES

S107

VOX

REV	CHG	DATE	CH LB	CHK	APP
A	3/16 DIA WAS 11/32	10/6/46	11321		
B	1/2" WAS 5/16	3/6/47	17887		

SW-107-B

USED ON A-590

SUPERCEDED

RES029

DATE 9/7/57