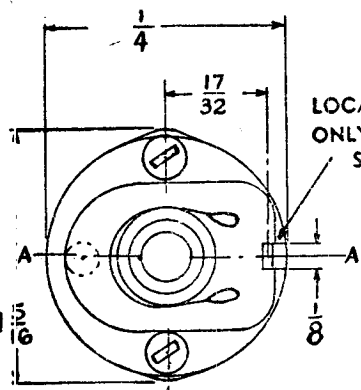


CUSTOMER: **Technical Materiel Co** CUSTOMER'S PART NO. **SW-116**
OAK MANUFACTURING CO. 1260 CLYBORN AVE., CHICAGO 10, ILL.

OAK TYPE F SWITCH

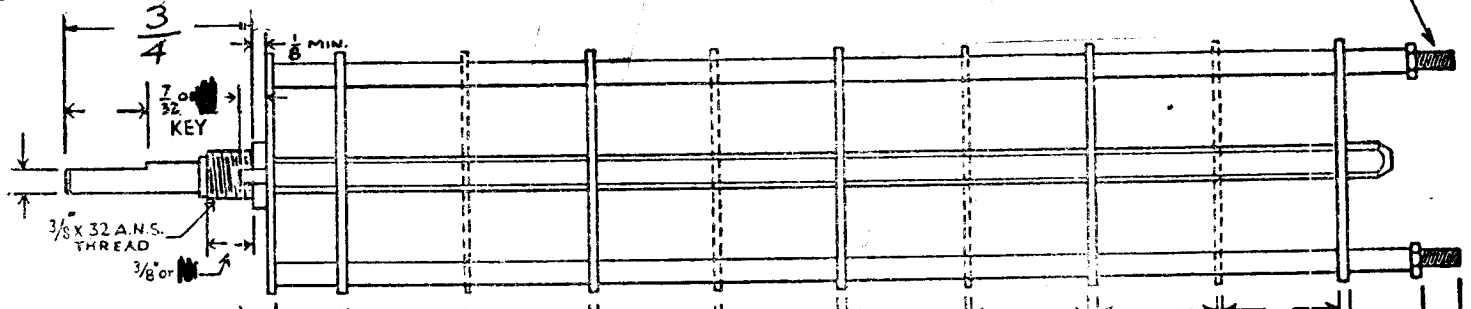
XFK

4-40 THREAD



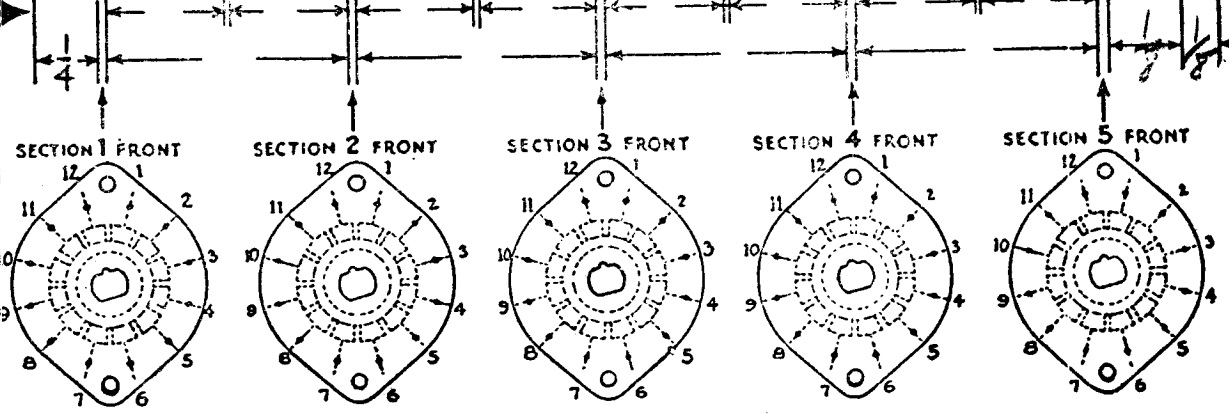
LOCATING KEY ONLY AT POINT SHOWN

SHOW CUT AWAY PORTION OF FLAT IN BLACK AND GIVE ANGLE TO LINE A-A. $\pm 3^\circ$ STANDARD RMA KNURLED AND SLOTTED SHAFT ALSO AVAILABLE

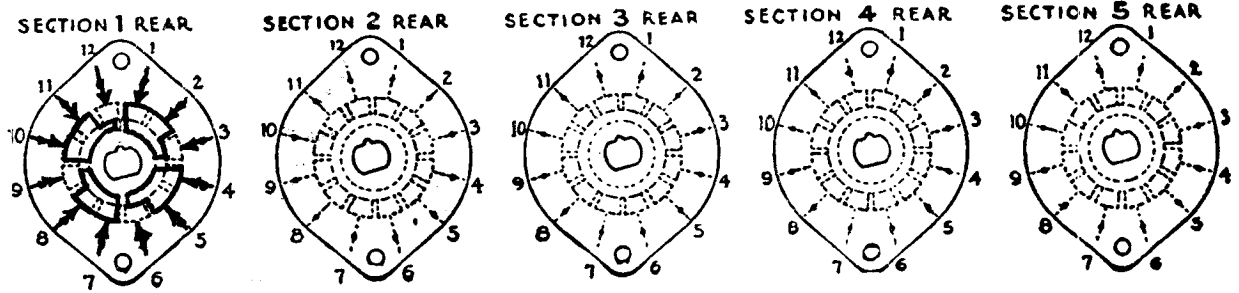
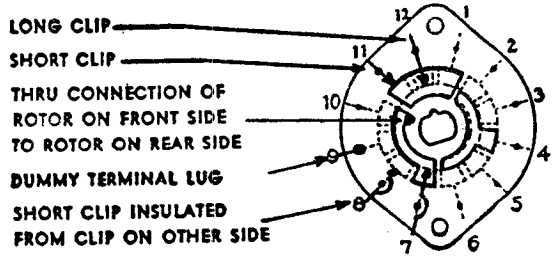


FRONT AND REAR OF SECTIONS VIEWED FROM FRONT OR KNOB END OF SWITCH IN EXTREME COUNTER-CLOCKWISE POSITION

NUMBER OF SECTIONS $\frac{1}{2}$
 NUMBER OF POSITIONS $\frac{2}{2}$
 ANGLE OF THROW 30° (30° OR 60°)



SYMBOLS USED IN MARKING PRINT



OUTLINE ROTOR BLADES AS SHOWN ABOVE WITH SWITCH IN EXTREME COUNTER-CLOCKWISE POSITION

USED ON
 Model XFK
 A-643

4P/2005

CUSTOMER NOTES

48866-FIX

SW-116

S9
 SUPERCEDED
 AES021

DATE 7/13/57

SPECIFICATIONS

SHORTING TYPE CONTACTS NON-SHORTING IF NOT SPECIFIED SHORTING TYPE WILL BE SUPPLIED.
 INSULATION: $\frac{1}{16}$ " BAKELITE ; $\frac{1}{8}$ " MYCALEX SPECIFY IMPREGNATION IF REQUIRED.
 FINISH REQUIREMENTS: COMMERCIAL ; ARMY ; NAVY ; SALT TEST (IF ANY GIVE DETAILS) 200 Hour
 CONTACTS AND ROTORS: SILVER PLATED BRASS ; SOLID SILVER ALLOY ; IF NOT SPECIFIED SILVER PLATED BRASS WILL BE SUPPLIED.
 MOUNTIN HARDWARE: SUPPLY $\frac{1}{8}$ " - 32 NUTS $\frac{1}{4}$ " ACROSS FLATS; MATERIAL _____ PLATING _____
 $\frac{1}{8}$ " INTERNAL TOOTH LOCKWASHER; MATERIAL _____ PLATING _____
 STAMP PART NUMBER SW-116 ON FRONT PLATE, YES NO
 (NUMBER)