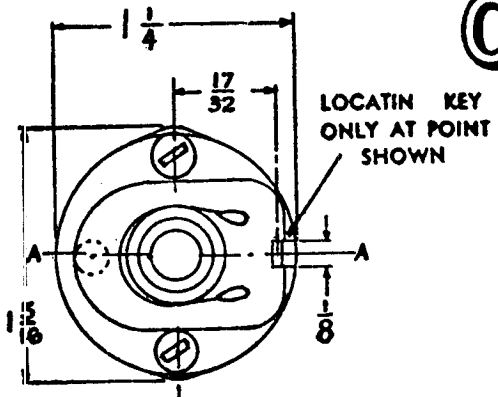


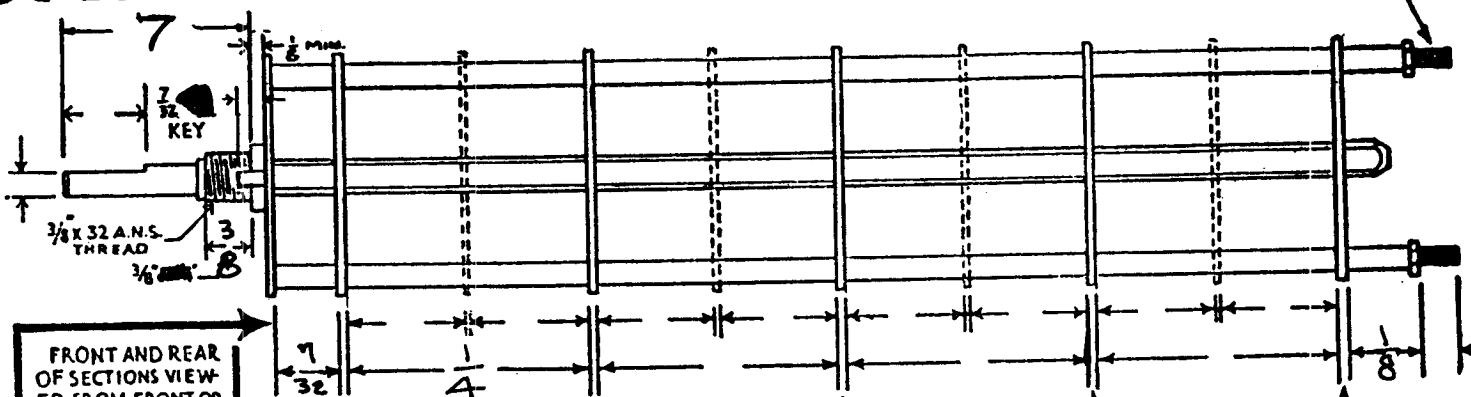
CUSTOMER'S SW-209-A
PART NO.

SW-209

OAK TYPE F SWITCH

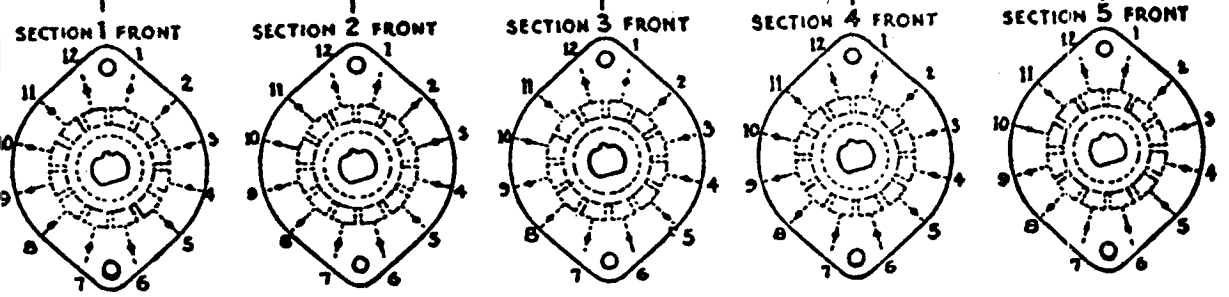


SHOW CUT AWAY PORTION OF FLAT IN BLACK AND GIVE ANGLE TO LINE A-A. $\pm 3^\circ$ STANDARD RMA KNURLED AND SLOTTED SHAFT ALSO AVAILABLE

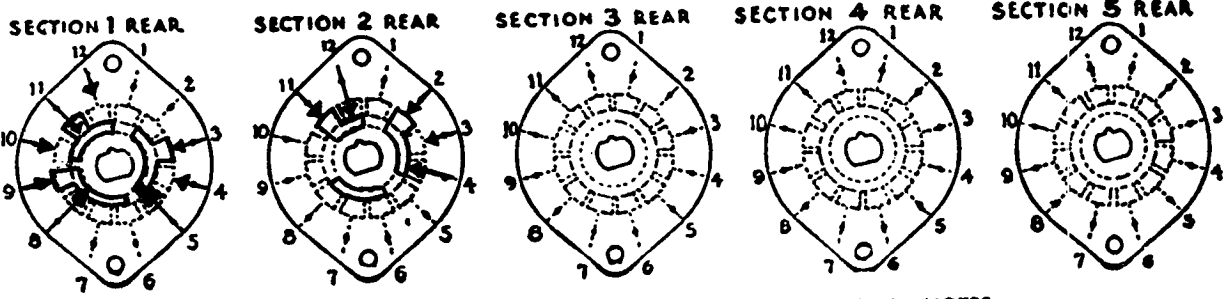
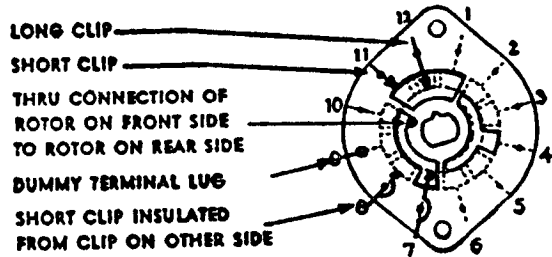


FRONT AND REAR OF SECTIONS VIEWED FROM FRONT OR KNOB END OF SWITCH IN EXTREME COUNTER-CLOCKWISE POSITION

NUMBER OF SECTIONS $\frac{2}{2}$
 NUMBER OF POSITIONS $\frac{2}{2}$
 ANGLE OF THROW 30° (30° ~~OR 60~~)



SYMBOLS USED IN MARKING PRINT



CUSTOMER NOTES

OUTLINE ROTOR BLADES AS SHOWN ABOVE WITH SWITCH IN EXTREME COUNTER-CLOCKWISE POSITION

SPECIFICATIONS

SHORTING TYPE CONTACTS NON-SHORTING IF NOT SPECIFIED SHORTING TYPE WILL BE SUPPLIED.
 INSULATION: $\frac{1}{16}$ BAKELITE ; $\frac{1}{8}$ MYCALEX SPECIFY IMPREGNATION IF REQUIRED
 FINISH REQUIREMENTS: COMMERCIAL ; ARMY ; NAVY ; SALT TEST (IF ANY GIVE DETAILS)
 CONTACTS AND ROTORS: SILVER PLATED BRASS ; SOLID SILVER ALLOY ; IF NOT SPECIFIED SILVER PLATED BRASS WILL BE SUPPLIED.
 MOUNTING HARDWARE: SUPPLY $\frac{3}{8}$ " .32 NUTS _____ ACROSS FLATS; MATERIAL _____ PLATING _____
 $\frac{3}{8}$ " INTERNAL TOOTH LOCKWASHER; MATERIAL _____ PLATING _____

STAMP PART NUMBER SW-209-A NON FRONT PLATE, YES NO
 (NUMBER)

SWITCH, ROTARY SSB S204		Model GPT-750 (RTF)	
THE TECHNICAL MATERIAL CORPORATION			
MAMARONECK, NEW YORK			
DATE	1-31-58	CHD.	<i>[Signature]</i>
DRAWN	<i>[Signature]</i>	A-PD.	A.S.J.
SHEET	OF	NO	SW-209 A

DATE _____

CUSTOMER

OAK MFG. CO.

1260 CLYBURN AVE, CHICAGO 10, ILL

