

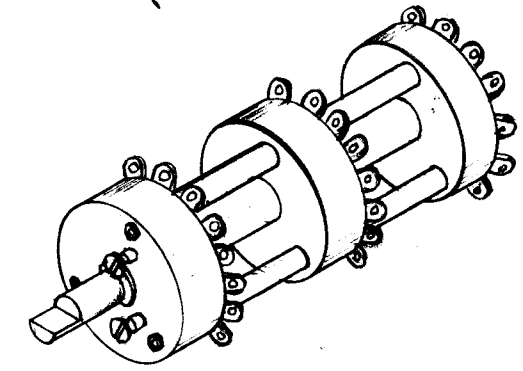
SW-267

Depth behind panel		Single Unit	2 in Tandem	3 in Tandem
		2 1/4	4 5/8	7
No of Taps	Total Rotation	MFG. No	MFG. No	MFG. No
12	330°	312-12	312-12-T2	312-12-T3
11	300°	312-11	312-11-T2	312-11-T3
10	270°	312-10	312-10-T2	312-10-T3
9	240°	312-9	312-9-T2	312-9-T3
8	210°	312-8	312-8-T2	312-8-T3
7	180°	312-7	312-7-T2	312-7-T3
6	150°	312-6	312-6-T2	312-6-T3
5	120°	312-5	312-5-T2	312-5-T3
4	90°	312-4	312-4-T2	312-4-T3
3	60°	312-3	312-3-T2	312-3-T3
2	30°	312-2	312-2-T2	312-2-T3

— ELECTRICAL SPECIFICATIONS —

Voltage — 300
AC Rating — 25Amps.

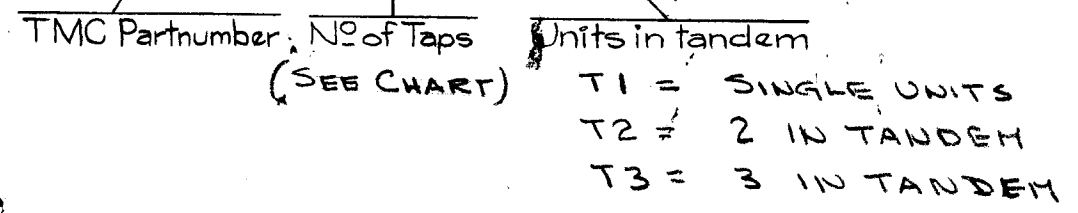
TYPICAL TANDEM ASSEMBLY
(3 in tandem shown)



Diameter: 3 5/16
Shaft Dia: 1/4
Stand. MTG.: 1/4 Panel Max.

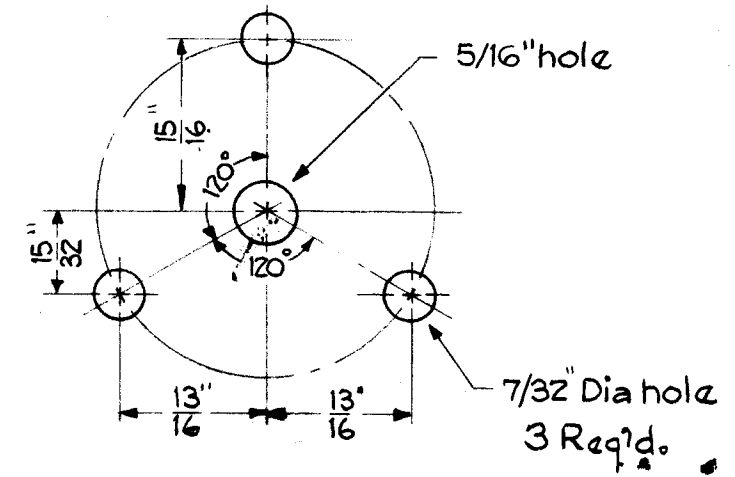
NOMENCLATURE SHALL BE IN FOLLOWING FORM

SW-267-4-T3



NOTE:

When purchasing substitute
Mfgr. Part #312 for TMC # SW-267
example { TMC SW-267-4-T3
Mfr. # 312-4-T3



MOUNTING DETAIL

ISSUE	ITEM	CHANGED FROM	DATE	CH. NO.	DRAFTS	CHECKER	ENG. APP.
TOLERANCES		SCALE: 5/401-56 (312)					
DEC. DIM. ±		MAXIMUM ALLOWABLE TOLERANCES HAVE BEEN DETERMINED AND ANY DEVIATIONS WILL BE CAUSE FOR REJECTION.					
FRAC. DIM. ±		REMOVE ALL BURRS AND SHARP EDGES					
ANGULAR DIM. ±							

1	GPT-40K	SW-267-7-T3	12-9-59
REQ. PER UNIT	MODEL	PROJECT NO.	ASS'Y. NO.
USED ON			

REQ. ITEM	PART NO.	DESCRIPTION	SYMBOL
		THE TECHNICAL MATERIEL CORP. MAMARONECK, NEW YORK	
STOCK SIZE		SWITCH, TAP	
MATERIAL			
TYPE & TEMPER	HEAT TREAT. SPEC.	DRAWN	CHECKED
FINISH & SPEC. NO.		ELEC. DES. APP.	MECH. DES. APP.

SW-267