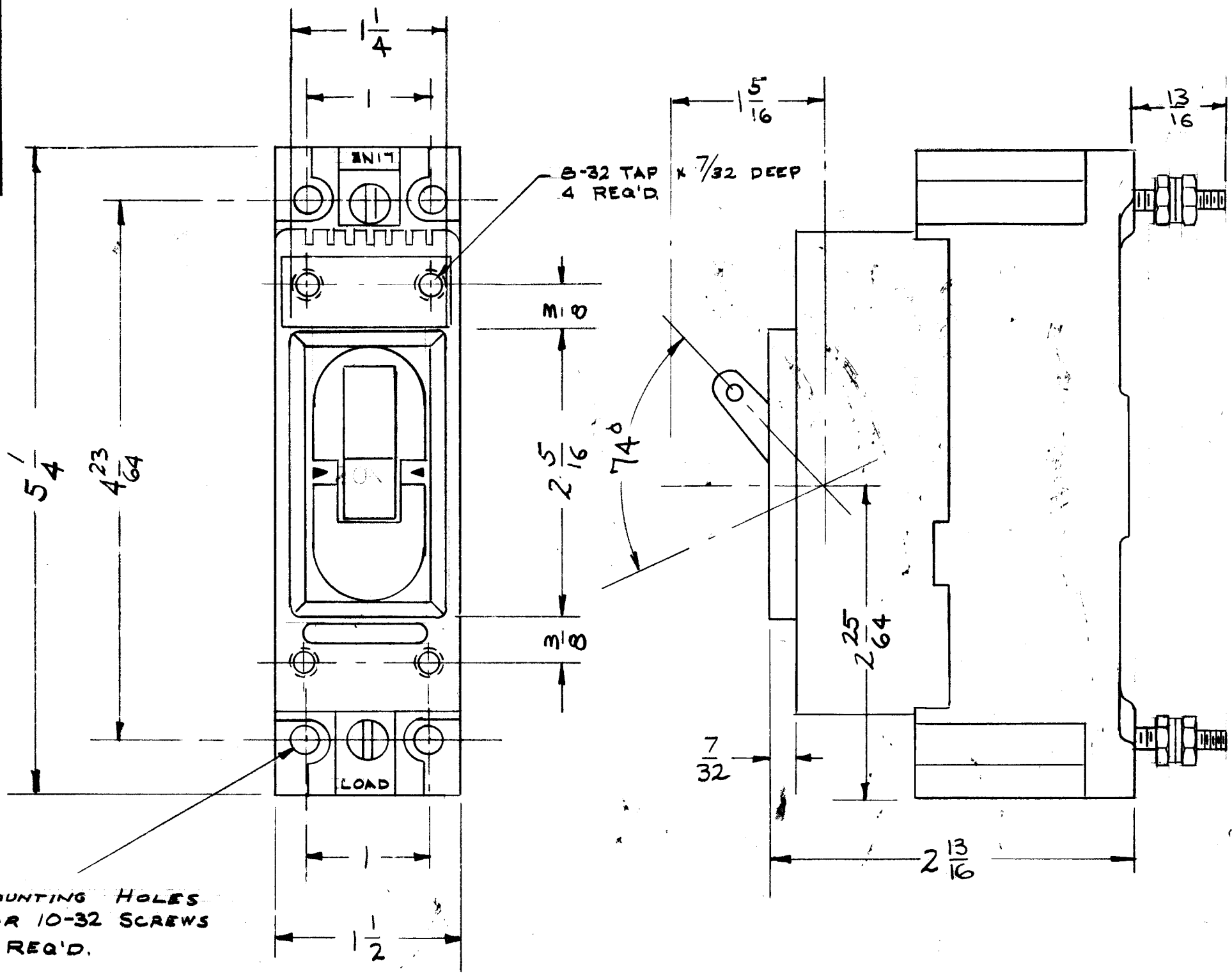


B
SW-270

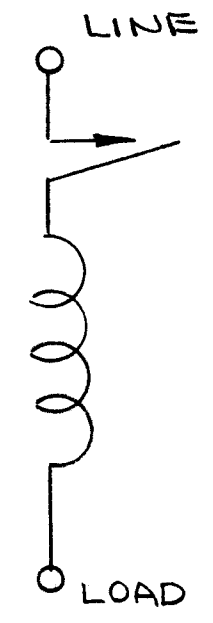


MOUNTING HOLES FOR 10-32 SCREWS 4 REQ'D.

MODEL	FUNCTION
GPT-40K	PA FILAMENT ON-OFF

ELECTRICAL SPECIFICATIONS

11635 MG4-25
 25 AMPS
 240 VAC.
 CURVE 3
 SINGLE POLE
 SERIES TRIP



ISSUE	ITEM	CHANGED FROM	DATE	CH. NO.	DRAFTS	CHECKER	ENG. APP.
B	1	UPDATED DIM. 2-13/16 WAS 2 3/4	9-23-63	10031	BD	JAY	WFB
A	1	S401-58 NO. WAS 1163525MG4	8-30-60	2875	CY	JCB	file
TOLERANCES		SCALE: S401-58 (11635 MG4-25)					
DEC. DIM. ±		MAXIMUM ALLOWABLE TOLERANCES HAVE BEEN DETERMINED AND ANY DEVIATIONS WILL BE CAUSE FOR REJECTION.					
FRAC. DIM. ±		REMOVE ALL BURRS AND SHARP EDGES					
ANGULAR DIM. ±							

REQ. PER UNIT	1	MODEL	GPT-40K	PROJECT NO.		ASS'Y. NO.		DATE	12-14-59
USED ON									

REQ. ITEM	PART NO.	DESCRIPTION	SYMBOL
		THE TECHNICAL MATERIEL CORP. MAMARONECK, NEW YORK	
	STOCK SIZE	CIRCUIT BREAKER, SINGLE POLE	
	MATERIAL		
	TYPE & TEMPER		
	HEAT TREAT. SPEC.		
	FINISH & SPEC. NO.		
		DRAWN: <i>Em</i> CHECKED: <i>[Signature]</i> FINAL APPROVAL: <i>[Signature]</i>	SW-270 B