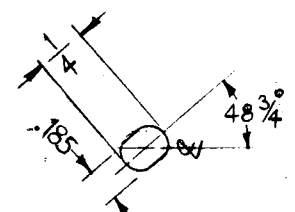
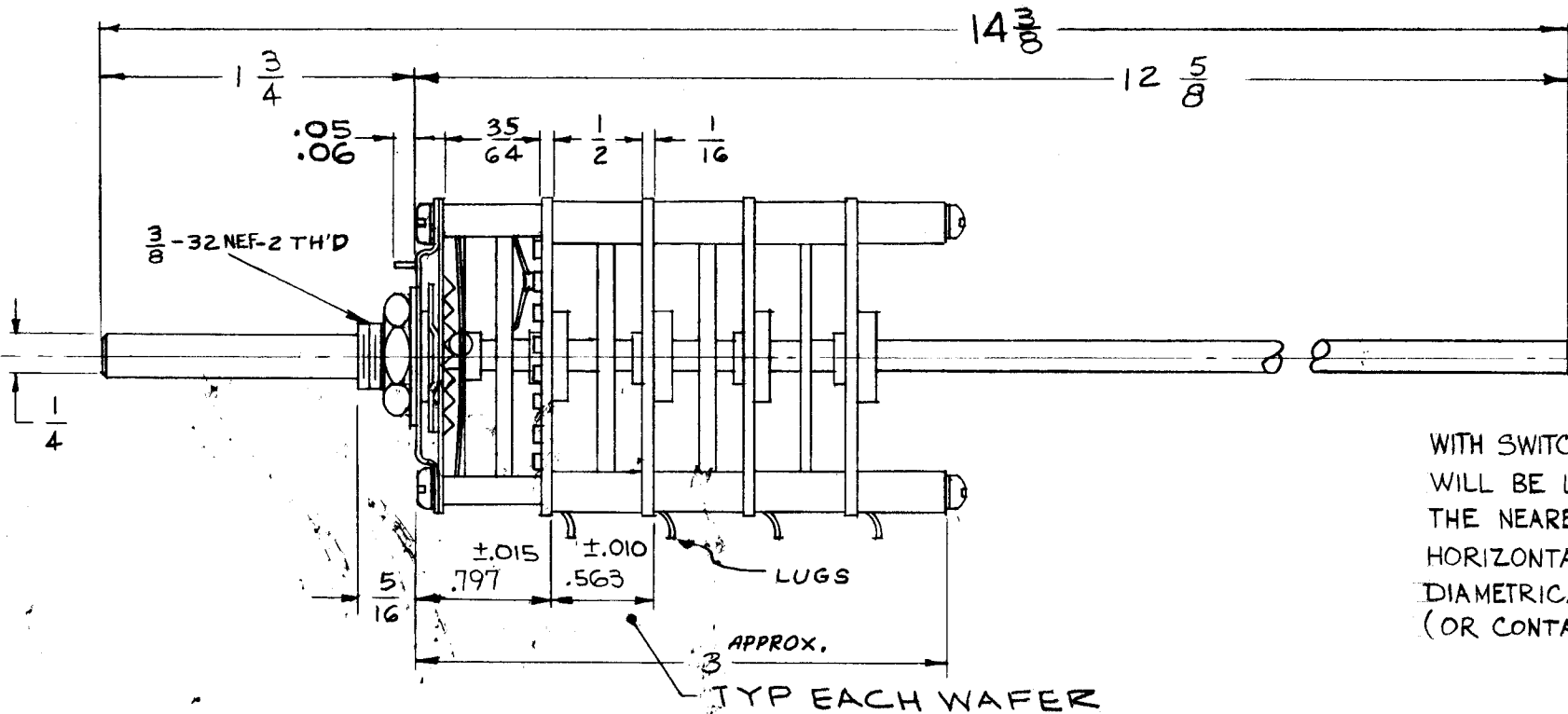
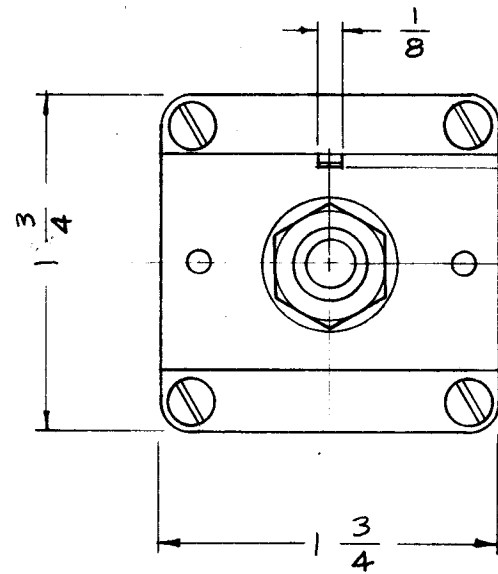


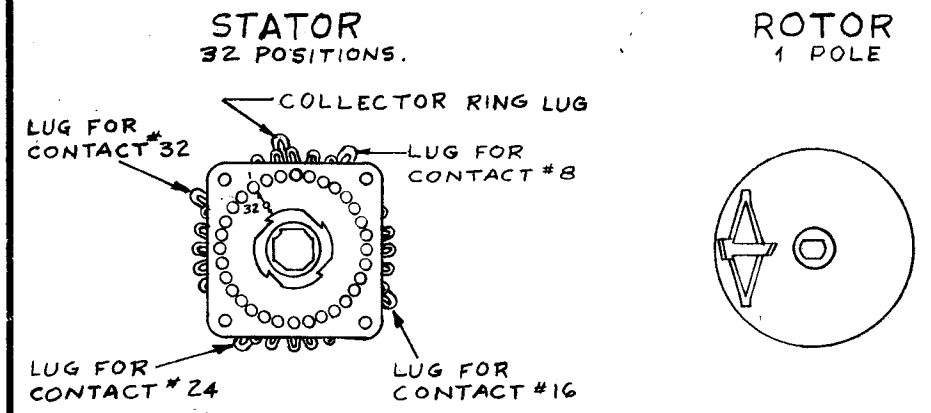
D
SW-300

THE CONTENTS OF THIS DRAWING ARE THE EXCLUSIVE PROPERTY OF THE TECHNICAL MATERIEL CORP. ITS UNAUTHORIZED USE OR REPRODUCTION IN WHOLE OR IN PART IS STRICTLY FORBIDDEN.



WITH SWITCH ON CONTACT #13 SHAFT WILL BE LOCATED AS SHOWN. THIS IS THE NEAREST SHAFT WILL COME TO HORIZONTAL & EXCEPT WITH ARM DIAMETRICALLY OPPOSITE THIS POSITION. (OR CONTACT #29).

1 POLE
2000 SERIES SHORTING TYPE 1 1/4° INDEXING



SPECIFICATIONS

ELECTRICAL	MECHANICAL
RATING-125V. AT 2A. 60 cps.	INDEXING-POSITIVE TYPE
CONTACT RESISTANCE .003 OHMS. INITIAL. MAX.	TERMINATIONS-LUG TYPE; WILL ACCEPT TWO #20AWG WIRES TERMINATED AND TINNED.
SHAFT-ISOLATED.	FULL 360° ROTATION.
CIRCUITS-1, PER DECK	

MATERIALS AND FINISH

TERMINALS-INTEGRAL LUG AND CONTACT OF SOLID SILVER ALLOY.
 CONTACTS-SOLID SILVER ALLOY.
 COLLECTOR RINGS SILVER
 STATOR-GLASS FIBER CLOTH EPOXY LAMINATE;
 ROTOR-DIALYL PHTHALATE (GLASS REINFORCED)
 ROTOR BEARING-NYLON
 SHAFT BEARING-PASSIVATED STAINLESS STEEL
 SHAFT, MOUNTING PLATE, DETENT ASSEMBLY, STOPS PASSIVATED STAINLESS STEEL.
 FIRST DECK SPACERS ARE NICKEL PLATED BRASS, .218" O.D. REMAINING SPACERS ARE OF STEATITE, .281" O.D.

SYM	DESCRIPTION	DATE	CH. NO.	DRAFTS	CHECKER	ENG. APP.
D	DWG. UPDATED PER EMN. 10184	10/16/63	10184			
C	DIMS 1 3/4 WAS 1 7/8. 14 3/8 WAS 14	6-25-63	9359			
B	DELETED REF: MFG No 2C00A32-4X40A	4-26-63	8896			
A	DIMS. 1-3/8 WAS 1-3/4 ; 12-5/8 WAS 12; 14 WAS 13 3/4	12-7-62	7848			

UNLESS OTHERWISE SPECIFIED:
 DIMENSIONS ARE IN INCHES
 TOLERANCES ON FRACTIONS ± 1/64 DECIMALS ± .005 ANGLES ± 1/2°

SCALE: S401-171(2C00A32-4X40A)
 MAXIMUM ALLOWABLE TOLERANCES HAVE BEEN DETERMINED AND ANY DEVIATIONS WILL BE CAUSE FOR REJECTION.
 REMOVE ALL BURRS AND SHARP EDGES

REQ. PER UNIT	MODEL	SECTION	ASS'Y. NO.	DATE
1	HFS-1	3500		8-15-62
USED ON				

REQ.	ITEM	PART NO.	STRUMER DESCRIPTION	SYMBOL
			THE TECHNICAL MATERIEL CORP. MAMARONECK, NEW YORK	
			SWITCH, ROTARY, 4 SECTION	
			32 POSITIONS	
			W.S.	
			DRAWN	
			CHECKED	
			FINAL APPROVAL	
			ELEC. DES. APP.	
			MECH. DES. APP.	
			SW-300 D	