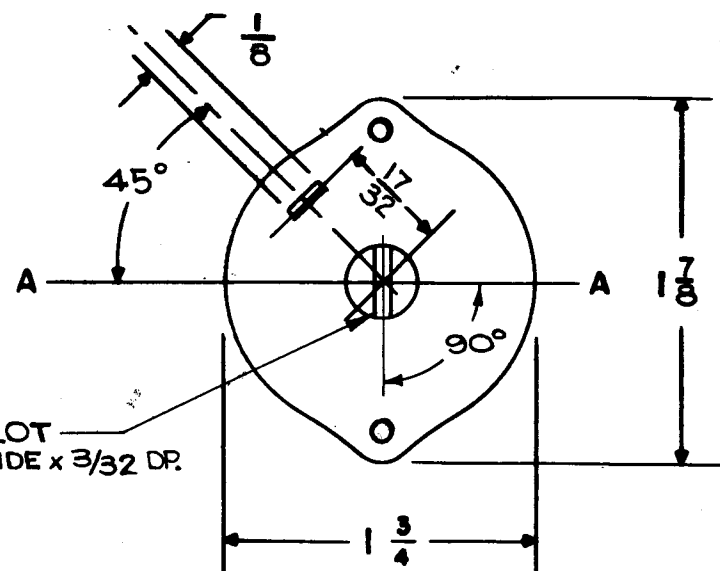


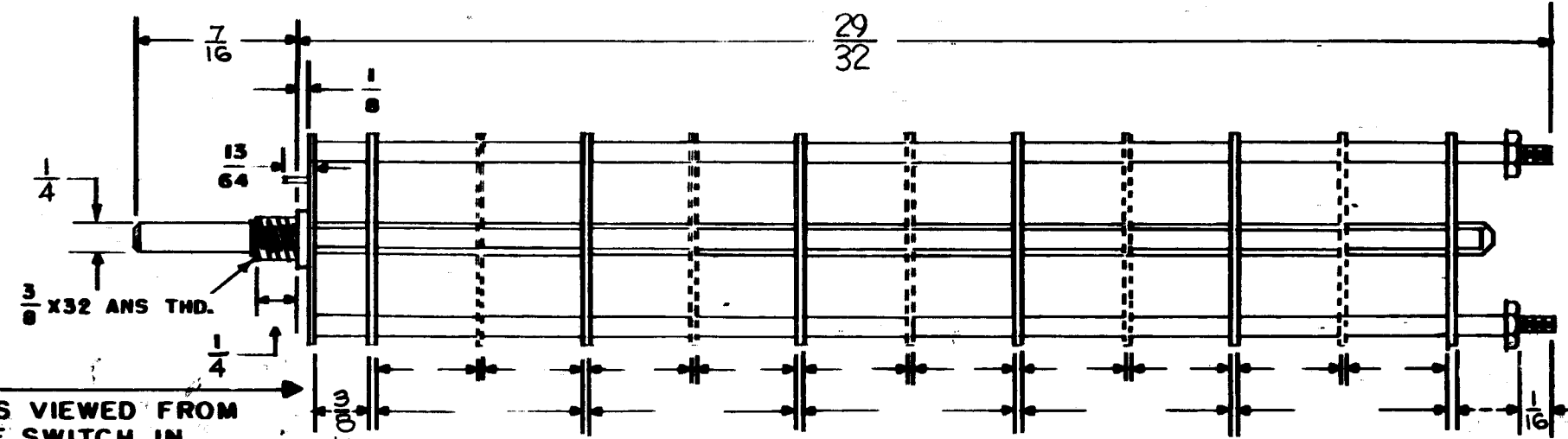
SW-330

A

SLOT
1/16 WIDE x 3/32 DP.



FRONT & REAR SECTIONS VIEWED FROM FRONT OR KNOB END OF SWITCH IN EXTREME COUNTER CLOCKWISE POSITION



DRAW IN FLAT ON ABOVE SHAFT IN EXTREME COUNTER CLOCKWISE POSITION AND SHOW ANGLE IN REFERENCE TO LINE A-A

NUMBER OF SECTIONS 1
 NUMBER OF POSITIONS 4
 ANGLE OF THROW 30° (30° OR 60°)

PART NUMBER SW-330
 STAMP ON FRONT PLATE YES NO

CONTACTS & ROTORS: (IF NOT SPECIFIED, SHORTING TYPE WILL BE SUPPLIED)
 SHORTING NON SHORTING

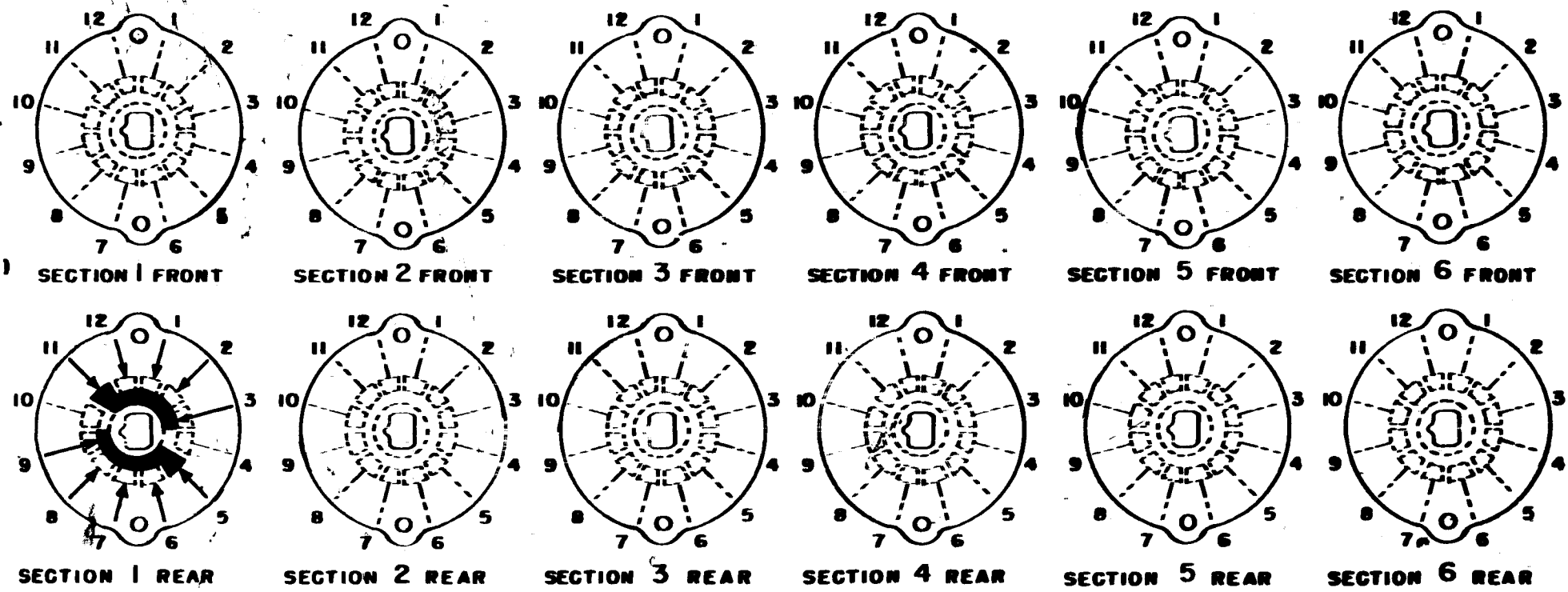
MATERIAL: (IF NOT SPECIFIED, SILVER PLATED BRASS WILL BE SUPPLIED)
 SILVER PLATED BRASS SILVER ALLOY

INSULATION: BAKELITE CERAMIC

FINISH REQUIREMENTS: COMMERCIAL ARMY NAVY

SALT TEST (IF ANY GIVE DETAILS) _____

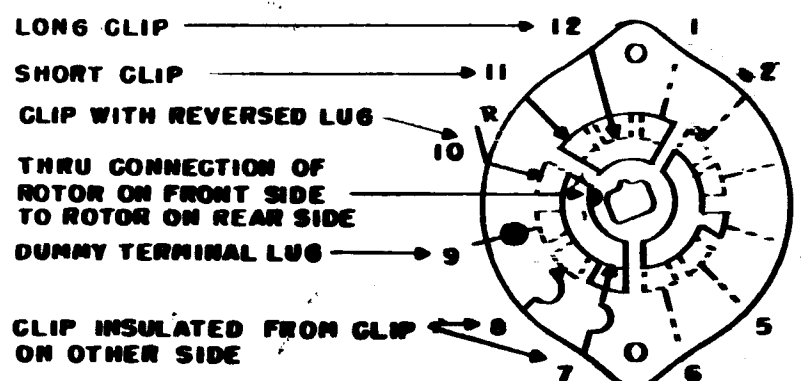
HARDWARE: SUPPLY
1 3/8 - 32 NUTS 1/2 ACROS FLATS MAT. BRASS PLATING NICKEL
 3/8 INT TOOTH LOCKWASHERS MAT. _____ PLATING _____



SYMBOLS USED IN MARKING PRINT →

A	CLERICAL CHANGE	824.64		WB	
---	-----------------	--------	--	----	--

SYM	DESCRIPTION	DATE	CH. NO.	DRAFTS	CHECKER	ENG. APP.
	UNLESS OTHERWISE SPECIFIED:					
	DIMENSIONS ARE IN INCHES					
	TOLERANCES ON FRACTIONS ± 1/64 DECIMALS ± .005 ANGLES ± 1/2°					
	MAXIMUM ALLOWABLE TOLERANCES HAVE BEEN DETERMINED AND ANY DEVIATIONS WILL BE CAUSE FOR REJECTION. REMOVE ALL BURRS AND SHARP EDGES					



TYPE - H (HC) DH DHC QH
 QDH QHC QDHC
 (CIRCLE DESIRED TYPE)

REQ. PER UNIT	MODEL	SECTION	ASS'Y. NO.	DATE
1	TTR-10	FT MOD	AX-412	5-16-63
1	TTR-10	FT MOD	AX-411	5-16-63
1	TTR-10	FT MOD	AX-410	5-16-63
1	TTR-10	FT MOD	AX-409	5-16-63

REQ. ITEM	PART NO.	R. KOHN	DESCRIPTION	SYMBOL
			THE TECHNICAL MATERIEL CORP., MAMARONECK, NEW YORK	
			SWITCH, ROTARY	
			MATERIAL	
			TYPE & TEMPER	
			HEAT TREAT. SPEC.	
			FINISH & SPEC. NO.	
			ELEC. DES. APP.	
			MECH. DES. APP.	
			SW-330	A