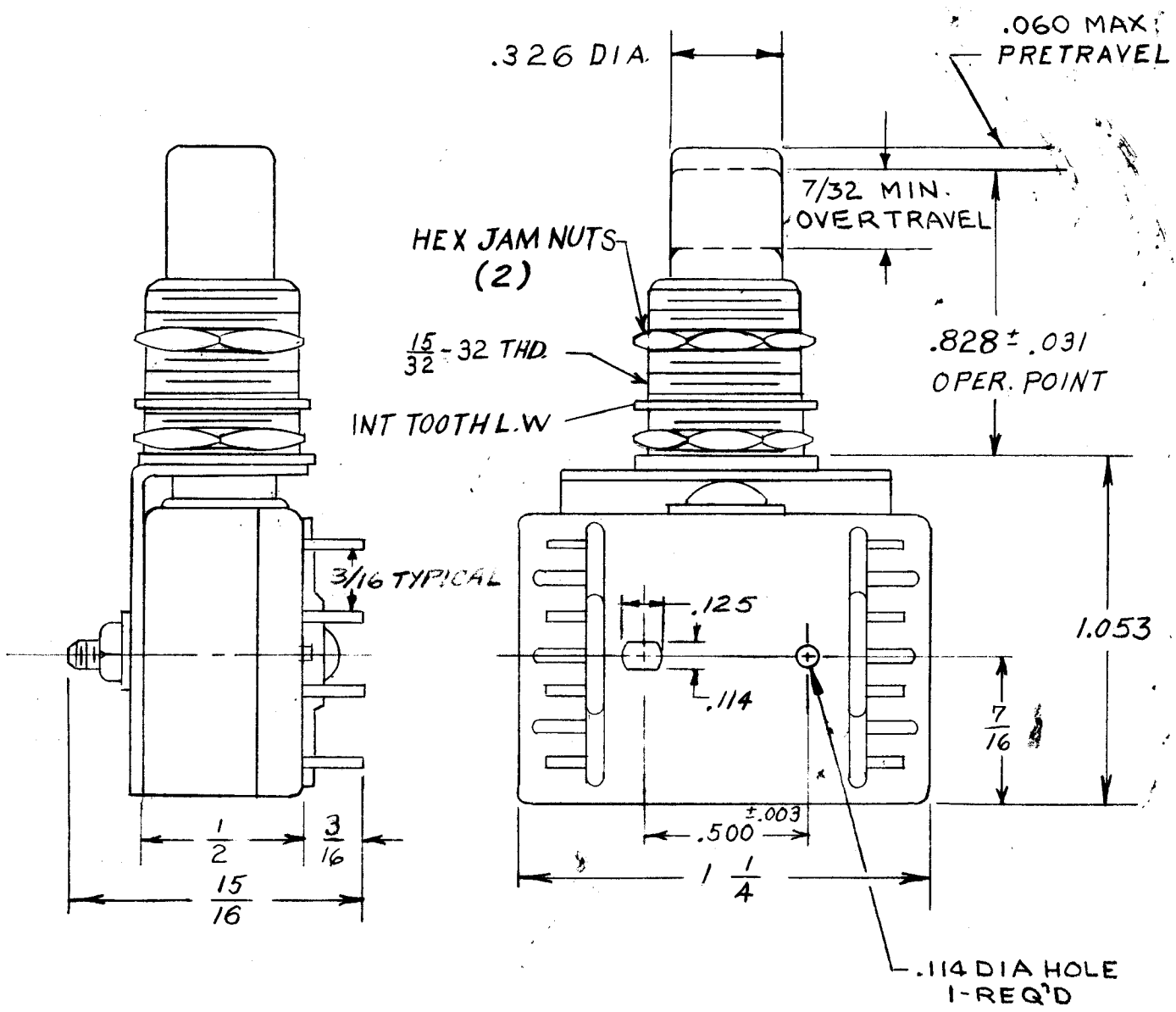


SW 347 B

REVISIONS					
SYM	DESCRIPTION	DATE	E.M.N. NO.	DRAFT	CHKD APPD
X	EXPERIMENTAL RELEASE	3/19/68		LD	@
Ø	ORIGINAL RELEASE FOR PRODUCTION	8-14/64		G. Opa	
A	HOLE LEGEND DELETED SPECS. REVISED	1/13/66	16565	M.V.V.	JLB
B	(1).114 DIA HOLE WAS .114 X .125 SLOT.	3/3/66	16035	JL	JLB



SPECIFICATIONS

1. TERMINALS : SOLDER SIDE TERMINALS
2. ACTUATOR : STANDARD MOMENTARY PLUNGER
3. CIRCUITFORM : DPDT DOUBLE .035 GAP
4. CASE MATERIAL : STANDARD PHENOLIC CASE, NYLON BUTTON (-65° TO 190° F AMBIENT)
5. ACTION : STANDARD SIMULTANEOUS
6. CONTACTS : STANDARD SILVER CONTACTS
7. VOLTAGE : 125/250 VAC
8. CURRENT : 10 AMPS
9. HORSEPOWER : $\frac{1}{2}$ @ 125 VAC
 $\frac{3}{4}$ @ 250 VAC

REQ'D.	ITEM	PART NUMBER	DESCRIPTION	SYMBOL
T. KRUY LIST OF MATERIAL				
MATERIAL		THE TECHNICAL MATERIEL CORP. MAMARONECK, NEW YORK		
FINISH		TITLE SWITCH, ACTUATOR		
UNLESS OTHERWISE SPECIFIED DIMENSIONS ARE IN INCHES AND INCLUDE CHEMICALLY APPLIED OR PLATED FINISHES		DRAWN A. MARINO	DATE 2-14-64	FINAL APPROVAL RJC
		CHECKED @	DATE 5-5-64	
DECIMALS .X ± .05 .XX ± .01 .XXX ± .005		FRACTIONS ± 1/64 ANGLES ± 0° 30'		TOLERANCES
ELECT. DES.		DATE 2-14-64	SW 347 B	
MECH. DES. T. Kruy		DATE	SHEET	
			REV. LTR.	

1	HFRR-2	A3533
Q'TY./UNIT	MODEL USED ON	ASS'Y. NO.
SCALE DO NOT SCALE	CODE C	5401-282 TYPE 72-2080/304
THE CONTENTS OF THIS DRAWING ARE THE EXCLUSIVE PROPERTY OF THE TECHNICAL MATERIEL CORP. ITS UNAUTHORIZED USE OR REPRODUCTION IN WHOLE OR IN PART IS STRICTLY FORBIDDEN.		

NOTES