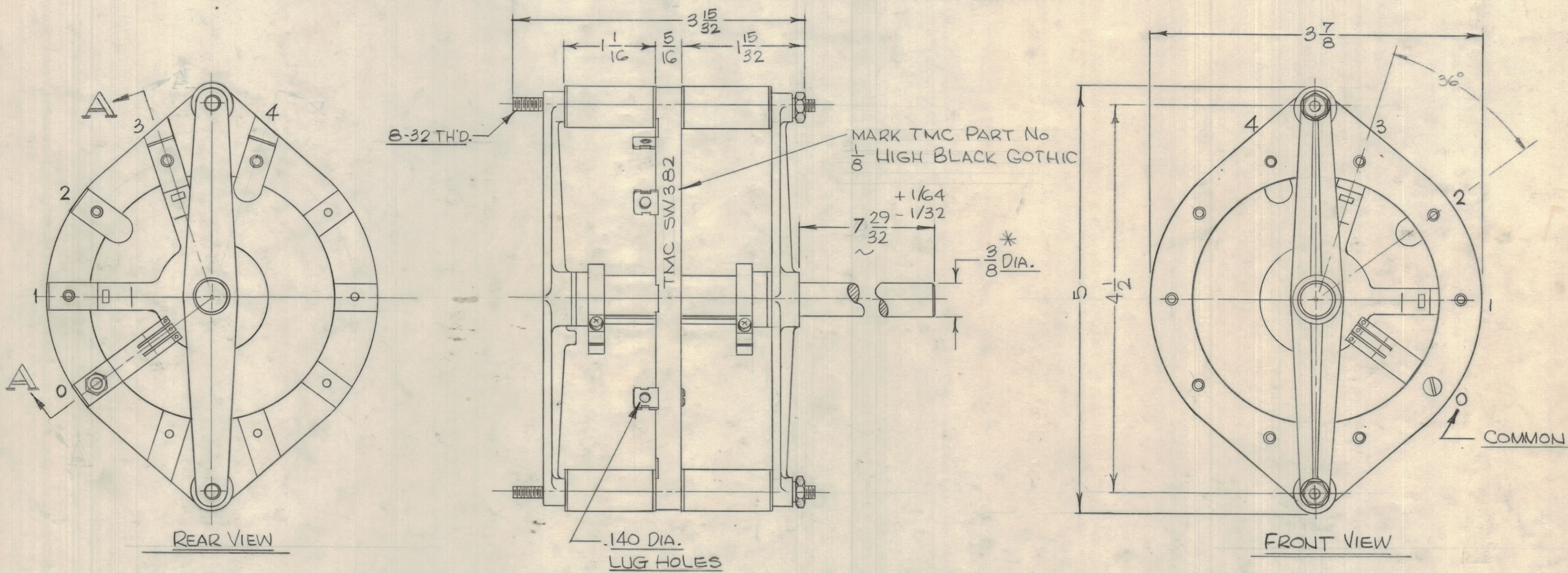


SPECIFICATIONS

- 1- 13,000 V PEAK FLASHOVER AT 60 CPS.
- 2- 30 AMP CURRENT CARRYING CAPACITY.
- 3- CURRENT CARRYING MEMBERS SILVER PLATED.
- 4- COIN SILVER CONTACT SHOES.
- 5- LOW LOSS SILICONE IMPREGNATED STEATITE STATOR AND ROTOR SHAFT.
- 6- WHITE GLAZED STEATITE SPACERS.
- 7- NICKEL SILVER FRONT SHAFT.
- 8- BLACK ANODIZED DIE CAST ALUMINUM SUPPORT BRACKETS.
- 9- OIL IMPREGNATED BRONZE SLEEVE BEARINGS.
- 10- ANODIZED ALUMINUM, SHAFT AND ROTOR, BUSHING.
- 11- ROTOR, BERYLLIUM COPPER SILVER PLATED

REVISIONS						
SYM	ZONE	DESCRIPTION	DATE	E.M.N. NO.	DRAFT	CHKD APPD
X		EXPERIMENTAL RELEASE	10.3.66	-	HGA	
X1		PT/NO. ADDED TO PICT. ASTERISK NOTE ADDED; 36° ADDED DIM 6 29/32 + TOL WAS 8	10.20.66	-	WFO	
X2		11 ADDED TO SPECS MARKING NOTE ADDED	11.2.66	-	WFO	
Q		ORIGINAL RELEASE FOR PRODUCTION	11.11.66	-	WFO	
A		7 29/32 WAS 6 29/32	1-29-70	19740	KD	HGA



* NOTE ~
SHAFT DIA MUST BE $.375^{+.000}_{-.004}$ FOR A MINIMUM OF 1.00 FROM END OF SHAFT

STANDARD DRAWING

QTY REQ	ITEM	PART NO.	DESCRIPTION	SYMBOL
BILL OF MATERIAL				
THE TECHNICAL MATERIEL CORP. MAMARONECK, NEW YORK				
SWITCH, ROTARY				
UNLESS OTHERWISE SPECIFIED DIMENSIONS ARE IN INCHES TOLERANCES ON FRACTIONS DECIMALS ANGLES $\pm 1/64$ $\pm .005$ $\pm 1/2^\circ$		FINAL APPROVAL <i>[Signature]</i> DATE 11/10/66	MECH. DES. <i>[Signature]</i> DATE 11-10-66	ELECT. DES. <i>[Signature]</i> DATE 11/9/66
MATERIAL <i>[Signature]</i>	FINISH <i>[Signature]</i>	CHECKED <i>[Signature]</i> DATE 11-4-66	DRAWN H. Austin DATE 9.26.66	APPROVED FOR BUSHIPS
CONTRACT NO. MODEL GPT-10KLF		CODE 82679	SIZE C	DWG. NO. SW 382
SCALE 1:1		SHEET OF		ISSUE A

MAXIMUM ALLOWABLE TOLERANCES HAVE BEEN DETERMINED AND ANY DEVIATIONS WILL BE CAUSE FOR REJECTION.

SECTION "A-A"