

MFGR PART NO	ANGLE OF THROW	POSITIONS PER POLE	NUMBER OF DECKS	POLES PER DECK 1, 2, 3 OR 4	SHAFT LENGTH "DIM A"	BUSHING LENGTH	FLAT ANGLE	FLAT LENGTH	BACK PANEL DEPTH "DIM E"	INDICATE S (SHORTING) OR NS (NON SHORTING) FOR EACH DECK	DUST COVER	GOLD PLATED CURRENT CARRYING PARTS
2C00B32-1X10C4	11 1/2	32	1	1	2"	NONE	NONE	NONE	1.547	S X	NS	YES NO YES NO

SW 398 A

REVISIONS					
SYM	DESCRIPTION	DATE	E.M.N. NO.	DRAFT	CHKD APPR
X1	MFGR PART # WAS 2C00 B32-1-20	4/2/65	X1		
Ø	ORIGINAL RELEASE FOR PRODUCTION	4/2/65		J	
A	COMPLETELY REVISED	4/10/65	15360	A.V.	J.C. J.A.

ELECTRICAL RATINGS (COMMERCIAL)

POWER (BREAKING)

LOAD (BREAKING)	VS. LIFE (CYCLES)
LOAD	LIFE
250 VDC .1 AMP	50,000
100 VDC .5 AMP	20,000
30 VDC 2 AMPS	20,000
120 VAC 2 AMPS	10,000
NO LOAD	100,000

MATERIALS

DETENT SPRING AND BALLS, SHAFT, MTG, PLATE, STOPS, BUSHING, MTG, HARDWARE, DETENT PLATE, BALL RETAINER, — passivated stainless steel

CURRENT (CARRYING) — 10 Amps. Maximum

INITIAL VOLTAGE BREAKDOWN (25°C, 50% RH, sea level)

BETWEEN CONTACTS — 1500 volts RMS (60 cycles)

BETWEEN POLES — 2000 volts RMS (60 cycles)

CIRCUIT TO GROUND — 3000 volts RMS (60 cycles)

INSULATION RESISTANCE (ROOM CONDITIONS) — > 10¹⁴ OHMS

CONTACT RESISTANCE (INITIAL) — .002 OHMS Maximum

THERMAL EMF — < 1 µ volt/°C

WIPER ARMS — solid spring silver alloy (gold plate optional)

STATOR (deck plate) — epoxy fiber-glass

TERMINALS (integral with contact) — solid silver alloy

CONTACTS, COLLECTOR RINGS, SEGMENTS — solid silver alloy (gold plate optional)

COMMON AND CORNER TERMINAL — copper alloy (tin dipped and teflon sleeve insulated)

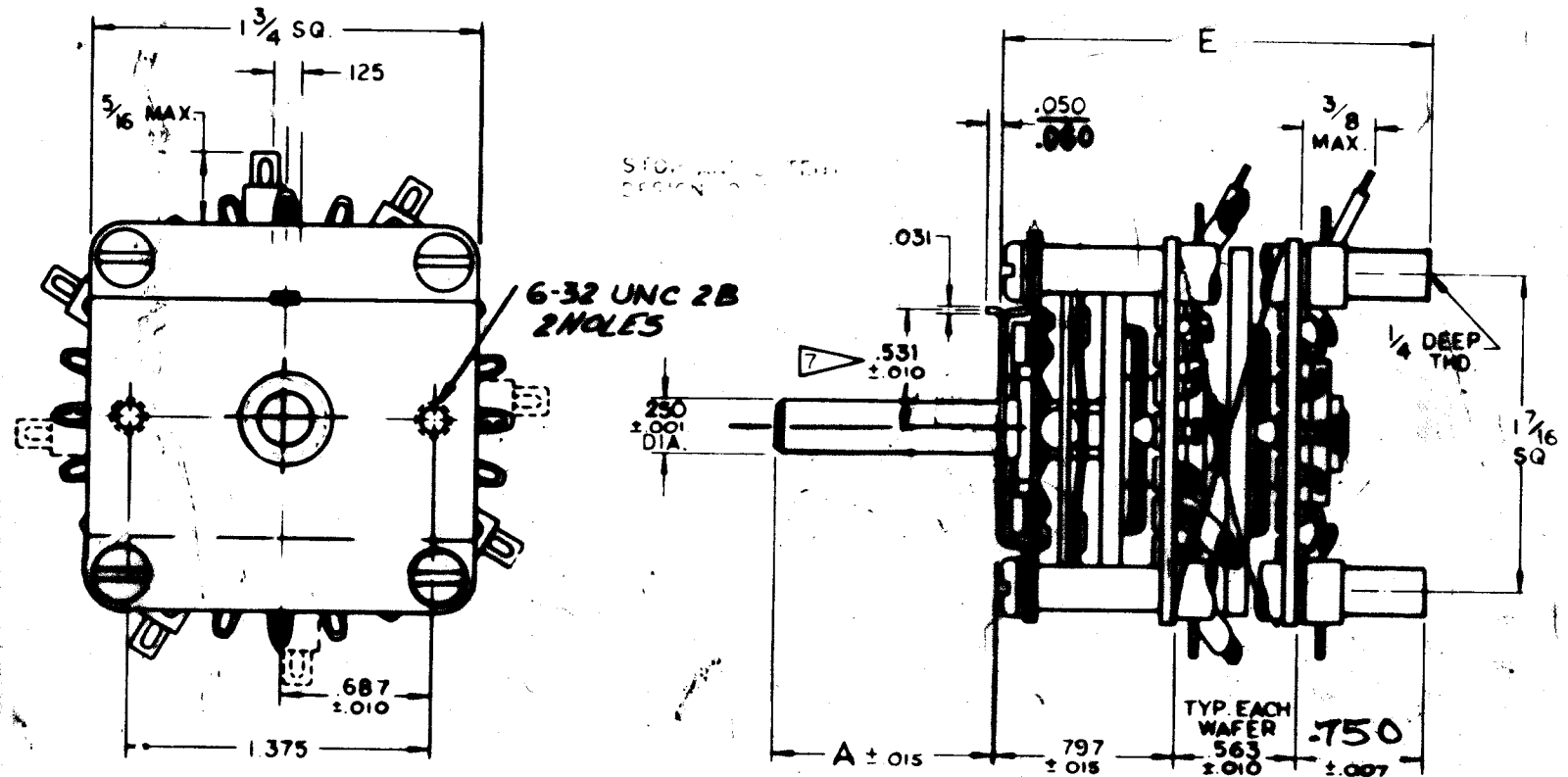
ROTOR BEARING, ROTOR SPACERS, INSULATOR CUPS — nylon

ROTOR — diallyl phthalate (glass fiber reinforced)

STOP PIN RETAINER — nickel silver

SCREWS, STUDS AND DETENT SPACERS — nickel plated brass

DECK SPACERS — steatite

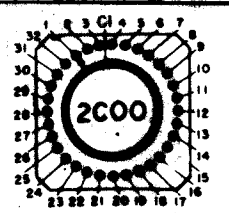


ENVIRONMENTAL RATINGS

TEMPERATURE RANGE — 40°C to + 85°C

MECHANICAL RATINGS

STOP STRENGTH — > 50 inch/lbs.



WAFER TYPE

QTY./UNIT	MODEL USED ON	ASSY. NO.
1	LRCC	
1	LRCM	
SCALE	CODE	5401-171

THE CONTENTS OF THIS DRAWING ARE THE EXCLUSIVE PROPERTY OF THE TECHNICAL MATERIEL CORP. ITS UNAUTHORIZED USE OR REPRODUCTION IN WHOLE OR IN PART IS STRICTLY FORBIDDEN.

REQ'D.	ITEM	PART NUMBER	DESCRIPTION	SYMBOL
EATON LIST OF MATERIAL				
MATERIAL			THE TECHNICAL MATERIEL CORP. MAMARONECK, NEW YORK	
FINISH			TITLE SWITCH ROTARY	
UNLESS OTHERWISE SPECIFIED DIMENSIONS ARE IN INCHES AND INCLUDE CHEMICALLY APPLIED OR PLATED FINISHES			DRAWN H.O.	DATE 5-21-65
DECIMALS I ± .00 II ± .01 III ± .005			ENGINEER O.C.T.	DATE 6/2/65
FRACTIONS ± 1/64 ± 0° 30'			ELECT. DES. J.C.	DATE 6/2/65
TOLERANCES			MECH. DES. J.C.	DATE 6/2/65
			FINAL APPROVAL J.C. DATE 6/2/65	
			SHEET SW 398	

NOTES

MFGR PART
NO

2C00 B32-1X10C4

ANGLE OF THROW	POSITIONS PER POLE	NUMBER OF DECKS	POLES PER DECK 1, 2, 3 OR 4	SHAFT LENGTH DIM A	BUSHING LENGTH	FLAT ANGLE	FLAT LENGTH	BACK PANEL DEPTH DIM E	INDICATE S (SHORTING) OR NS (NON SHORTING) FOR EACH DECK		DUST COVER		GOLD PLATED CURRENT CARRYING PARTS	
									S	NS	YES	NO	YES	NO
11 1/2	32	1	1	2"	NONE	NONE	NONE	1.547	X				X	X

ELECTRICAL RATINGS (COMMERCIAL)

POWER (BREAKING)

LOAD (BREAKING)	VS, LIFE (CYCLES)
LOAD	LIFE
250 VDC .1 AMP	50,000
100 VDC .5 AMP	20,000
30 VDC 2 AMPS	20,000
120 VAC 2 AMPS	10,000
NO LOAD	100,000

CURRENT (CARRYING) — 10 Amps. Maximum

INITIAL VOLTAGE BREAKDOWN (25°C, 50% RH, sea level)

- BETWEEN CONTACTS — 1500 volts RMS (60 cycles)
- BETWEEN POLES — 2000 volts RMS (60 cycles)
- CIRCUIT TO GROUND — 3000 volts RMS (60 cycles)

INSULATION RESISTANCE (ROOM CONDITIONS) — > 10¹⁴ OHMS

CONTACT RESISTANCE (INITIAL) — .002 OHMS Maximum

THERMAL EMF — < 1 μ volt/°C

ENVIRONMENTAL RATINGS
TEMPERATURE RANGE — 40°C to + 85°C

MECHANICAL RATINGS
STOP STRENGTH — > 50 inch/lbs.

MATERIALS

DETENT SPRING AND BALLS, SHAFT, MTG, PLATE, STOPS, BUSHING, MTG, HARDWARE, DETENT PLATE, BALL RETAINER, — passivated stainless steel

WIPER ARMS — solid spring silver alloy (gold plate optional)

STATOR (deck plate) — epoxy fiber-glass

TERMINALS (integral with contact) — solid silver alloy

CONTACTS, COLLECTOR RINGS, SEGMENTS — solid silver alloy (gold plate optional)

COMMON AND CORNER TERMINAL — copper alloy (tin dipped and teflon sleeve insulated)

ROTOR BEARING, ROTOR SPACERS, INSULATOR CUPS — nylon

ROTOR — diallyl phthalate (glass fiber reinforced)

STOP PIN RETAINER — nickel silver

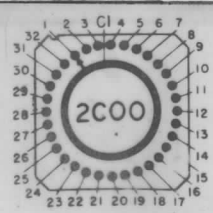
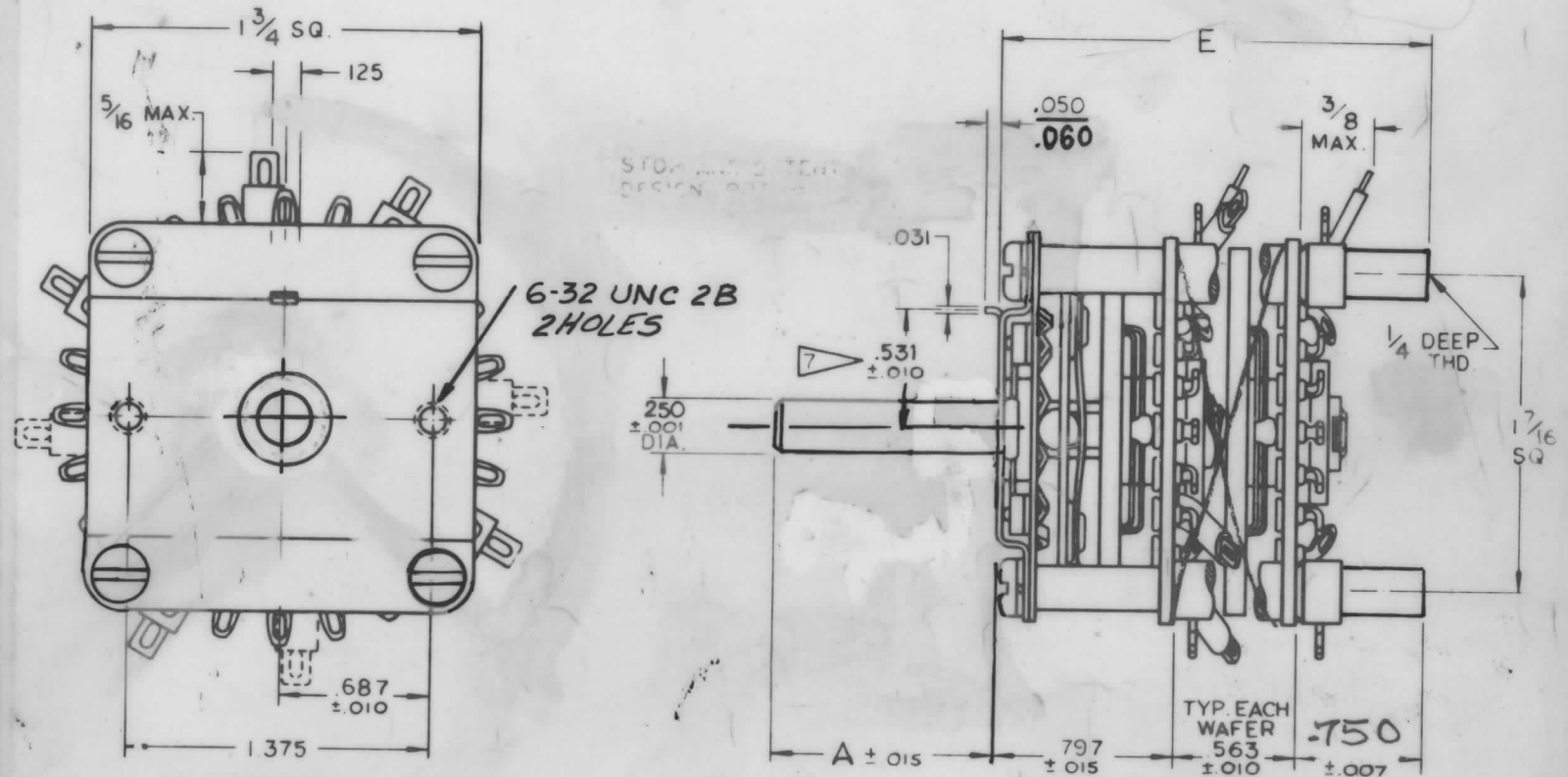
SCREWS, STUDS AND DETENT SPACERS — nickel plated brass

DECK SPACERS — steatite

SW 398 A

REVISIONS

SYM	DESCRIPTION	DATE	E.M.N. NO.	DRAFT	CHKD	APPD
X1	MFGR PART # WAS 2C00 B32-1-20	4/21/65	X1			
Ø	ORIGINAL RELEASE FOR PRODUCTION	4/21/65	AA	J		
A	COMPLETELY REVISED	12/10/65	15360	H.V.	806	J



WAFER TYPE

NOTES

1	LRCG	
1	LRCM	
QTY./UNIT	MODEL USED ON	ASSY. NO.
SCALE	CODE	5401-171

THE CONTENTS OF THIS DRAWING ARE THE EXCLUSIVE PROPERTY OF THE TECHNICAL MATERIEL CORP. ITS UNAUTHORIZED USE OR REPRODUCTION IN WHOLE OR IN PART IS STRICTLY FORBIDDEN.

REQ'D.	ITEM	PART NUMBER	DESCRIPTION	SYMBOL																															
EATON LIST OF MATERIAL																																			
MATERIAL		THE TECHNICAL MATERIEL CORP. MAMARONECK, NEW YORK																																	
FINISH		SWITCH ROTARY																																	
UNLESS OTHERWISE SPECIFIED DIMENSIONS ARE IN INCHES AND INCLUDE CHEMICALLY APPLIED OR PLATED FINISHES		<table border="1"> <tr> <td>DRAWN</td> <td>DATE</td> <td>FINAL APPROVAL</td> <td>DATE</td> </tr> <tr> <td>H.W.</td> <td>5-21-65</td> <td>[Signature]</td> <td>6/8/65</td> </tr> <tr> <td>CHECKED</td> <td>DATE</td> <td></td> <td></td> </tr> <tr> <td>J.C.S.</td> <td>6/2/65</td> <td></td> <td></td> </tr> <tr> <td>ELECT. DES.</td> <td>DATE</td> <td></td> <td></td> </tr> <tr> <td></td> <td></td> <td>SW 398</td> <td></td> </tr> <tr> <td>MECH. DES.</td> <td>DATE</td> <td></td> <td></td> </tr> <tr> <td>[Signature]</td> <td>6/2/65</td> <td></td> <td></td> </tr> </table>	DRAWN	DATE	FINAL APPROVAL	DATE	H.W.	5-21-65	[Signature]	6/8/65	CHECKED	DATE			J.C.S.	6/2/65			ELECT. DES.	DATE					SW 398		MECH. DES.	DATE			[Signature]	6/2/65			A
DRAWN	DATE	FINAL APPROVAL	DATE																																
H.W.	5-21-65	[Signature]	6/8/65																																
CHECKED	DATE																																		
J.C.S.	6/2/65																																		
ELECT. DES.	DATE																																		
		SW 398																																	
MECH. DES.	DATE																																		
[Signature]	6/2/65																																		
DECIMALS .X ± .05 .XX ± .01 .XXX ± .005		FRACTIONS ± 1/64 ANGLES ± 0° 30'		SHEET																															
TOLERANCES		REV. LTR.																																	