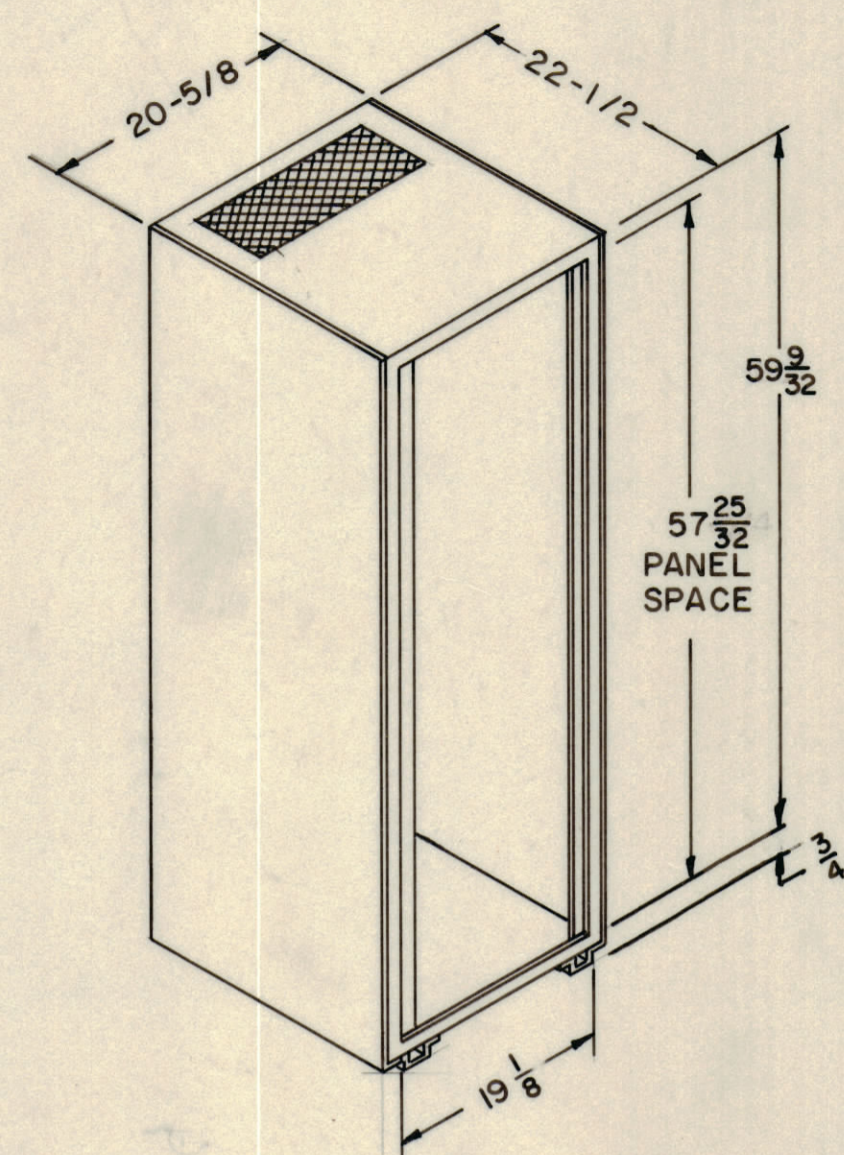
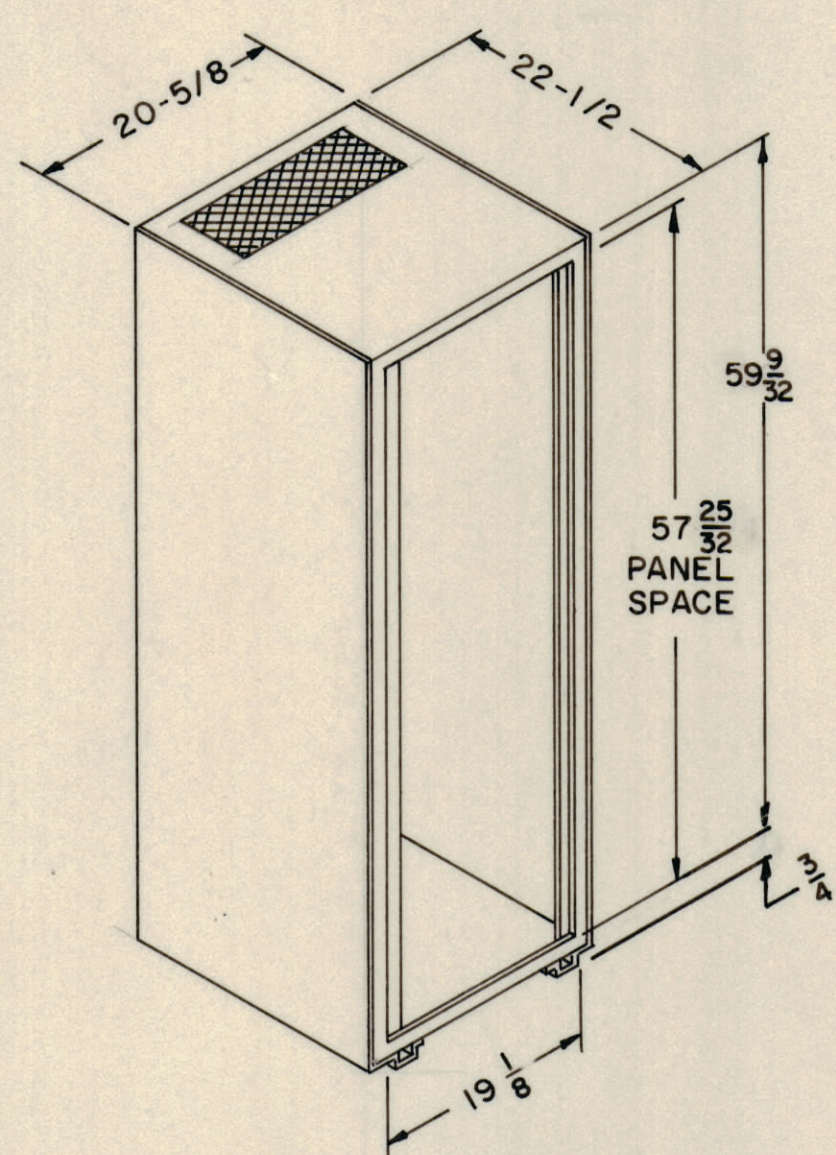


RAK-16 For Standard Use (Includes AC Strip, Wired, Blower, Wired AC Connectors at rear, wired.)



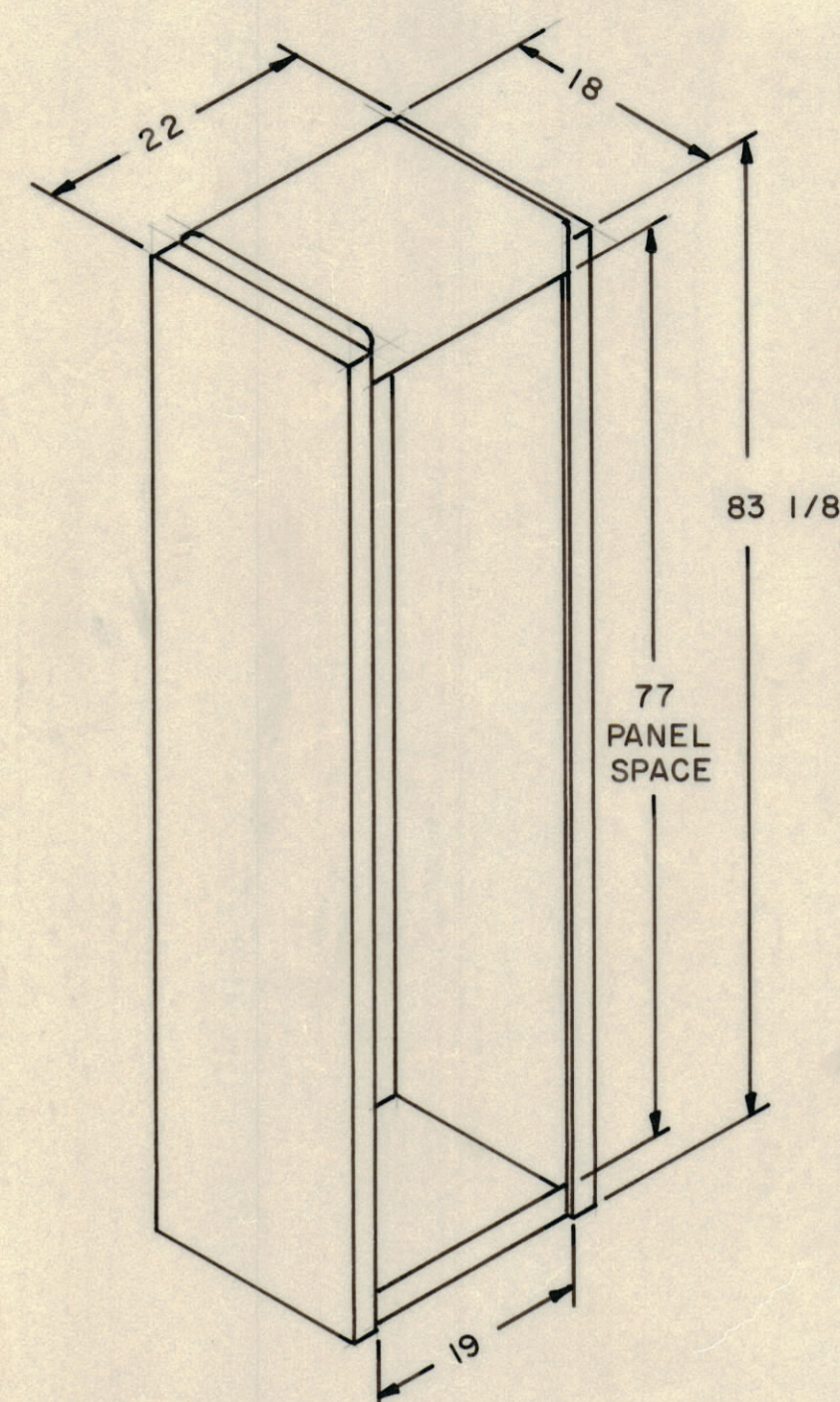
MS-2055

RAK-17 For Specific Use with SBT-1K Systems.



MS-2055 COMPLETE

RAK-18

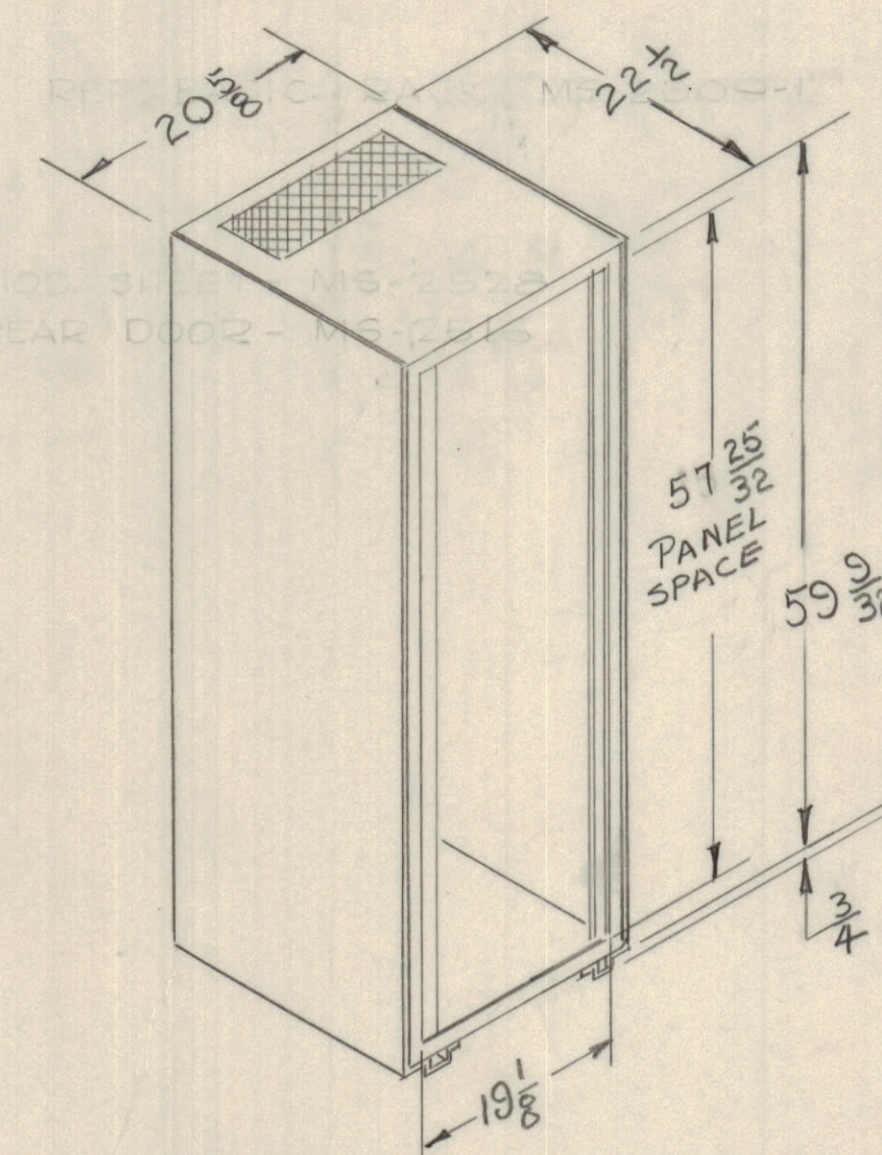


TMC MODEL : RAK-18
NOMENCLATURE CY-2530 / U

MATERIAL STEEL
FINISH RCAF BLUE/GRAY SEMI GLOSS
SPACING UNIVERSAL
POWER STRIP
REAR DOOR
WEIGHT 102 LBS.

SPECIAL FEATUERS:
FRONT TRIM STRIPS.
THIS RACK WILL BE USED AS A SPECIAL.
IT WILL BE WIRED FOR DDR-6B

RAK-19 For Specific Use with SBT-350 Systems.



MATERIAL LIST:
BASIC RACK USED : MS-2509-1
MODIFICATION DWG : MS-2528
LETTERING, REAR OF RACK :
REAR DOOR : MS-2516
BASE
SHOCKS

TMC MODEL : RAK-16
NOMENCLATURE GENERAL PURPOSE
MATERIAL STEEL
FINISH RCAF BLUE/GRAY
SPACING UNIVERSAL
POWER STRIP
REAR DOOR
WEIGHT 200 LBS.

BASIC RACK : 8 MS-2509-1
MODIFICATION : 8 MS-2055
LETTERING REAR : 4 LD-633
REAR DOOR : 8 MS-2516
BASE :
SHOCKS :

SPECIAL FEATURES:

TMC MODEL : RAK-17
NOMENCLATURE
MATERIAL STEEL
FINISH RCAF BLUE/GRAY
SPACING UNIVERSAL

MATERIAL LIST:
BASIC RACK USED : 8 MS-2509-1 (5 SHEETS)
MODIFICATION DWG : 8 MS-2055
LETTERING REAR OF RACK : 4 LD-633
REAR DOOR : 8 MS-2516
BASE
SHOCKS MOUNTS

SPECIAL FEATURES:

STOCK SIZE				THE TECHNICAL MATERIEL CORP. MAMARONECK, NEW YORK SYSTEMS DEPARTMENT			
SALES ORDER NUMBER		PROPOSAL NUMBER		QR NUMBER		QR NUMBER	
MATERIAL				TITLE: EQUIPMENT RACKS RAK, 16-17-18, 19			
TYPE & TEMPER HEAT TREAT SPEC.				DRAWN BY DATE FINAK APPROVAL SYSTEM DWG. NO. NO. OF SH.			
FINISH & SPEC. NO.				11 29 60		SY-1234	