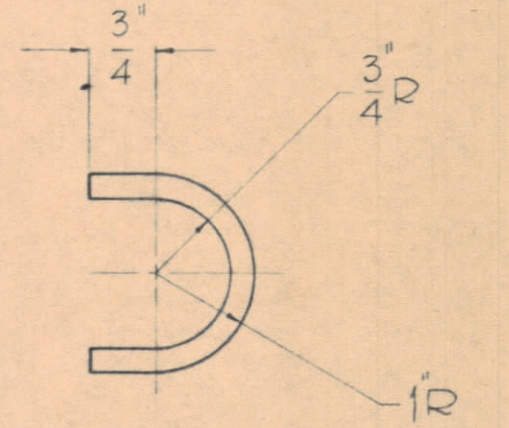


ROD
 MATERIAL - 3/4" DIA. ROUND BAR STEEL
 TYPE - COLD ROLLED
 FINISH - UPON ASSEMBLY OF RING, HOT GALVANIZED DIP.

RING DETAIL



MATERIAL - 1/4" DIA ROUND BAR STEEL
 TYPE - COLD ROLLED
 FINISH - UPON ASSEMBLY, HOT GALVANIZED DIP.

Original Drawing

AUG 13 1962

SYM	ZONE	DESCRIPTION	DATE	CH. NO.	DRAFTS	CHECKER	ENG. APP.
UNLESS OTHERWISE SPECIFIED: DIMENSIONS ARE IN INCHES			SCALE (DO NOT SCALE)				
TOLERANCES ON FRACTIONS ± 1/64			MAXIMUM ALLOWABLE TOLERANCES HAVE BEEN DETERMINED AND ANY DEVIATIONS WILL BE CAUSE FOR REJECTION. REMOVE ALL BURRS & SHARP EDGES				
DECIMALS ± .005							
ANGLES ± 1/2°							

REQ. PER UNIT	MODEL	SECTION	ASSY. NO.	DATE
	SYM2003			11-8-61

REQ. ITEM	PART NO.	DESCRIPTION	SYMBOL
AS NOTED		THE TECHNICAL MATERIEL CORP. MAMARONECK, NEW YORK	
AS NOTED		ANCHOR ROD 50' ANTENNA TOWER	
AS NOTED		John C. Biele	
TYPE & TEMPER	HEAT TREAT. SPEC.	DRAWN	CHECKED
AS NOTED			FINAL APPROVAL
FINISH & SPEC. NO.	ELEC. DES. APP.	MECH. DES. APP.	SHEET OF
			SY-1296