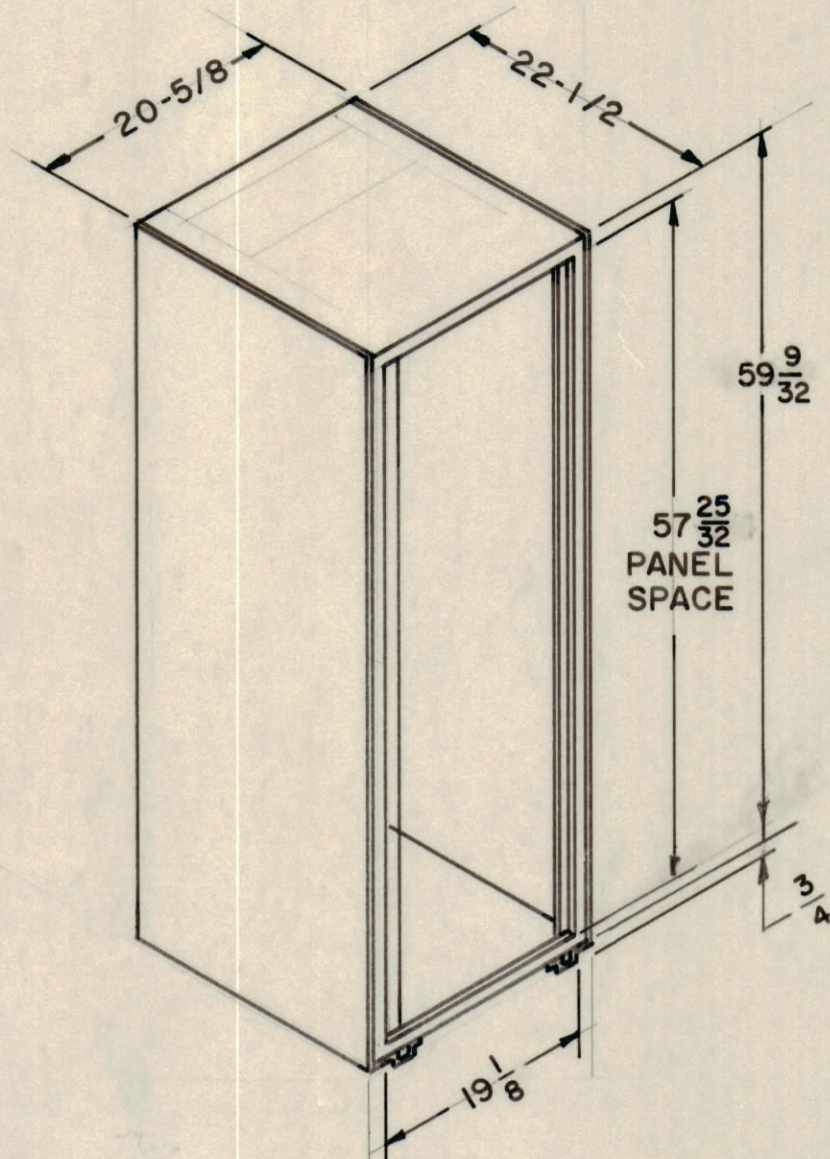
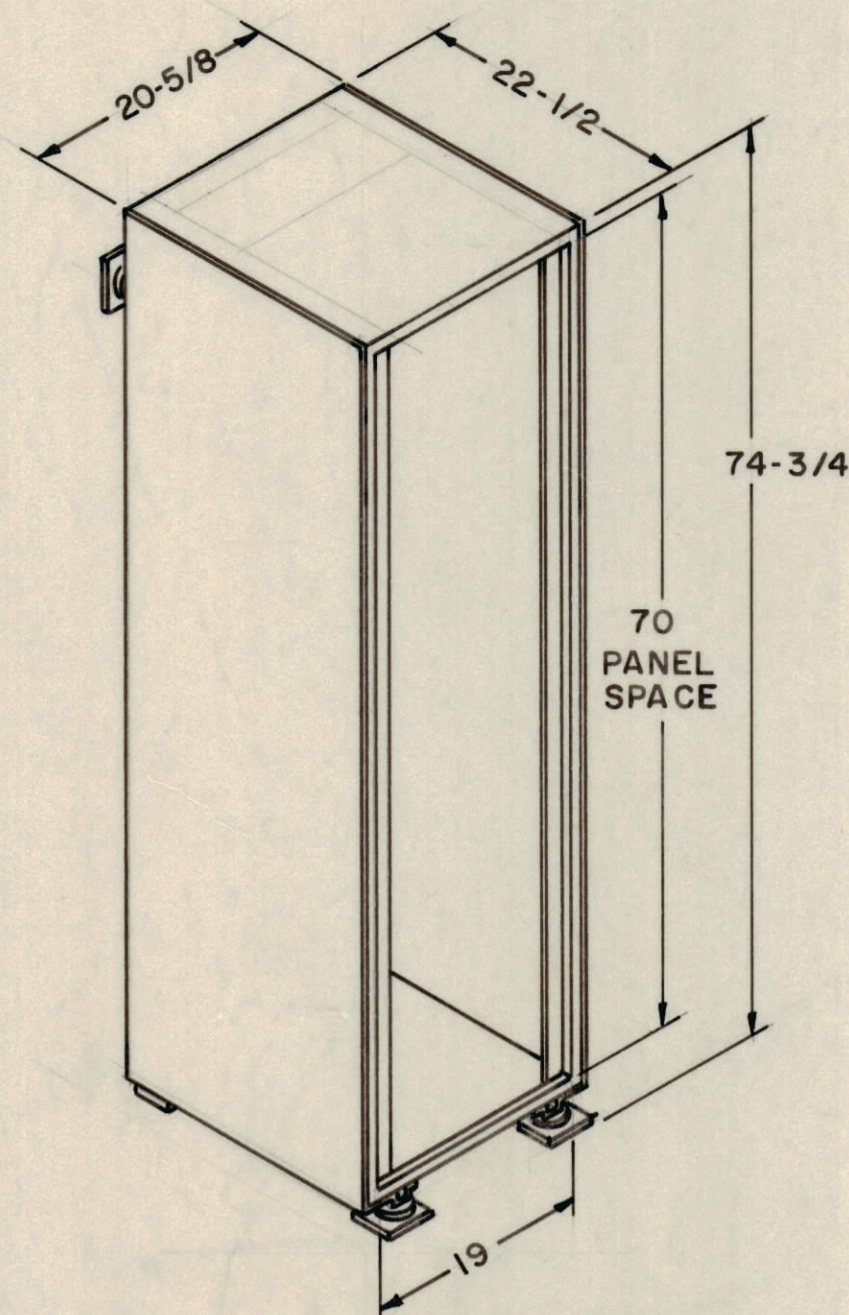


**RAK-11** FOR SPECIFIC USE WITH SBG & SBT-1K SYSTEMS

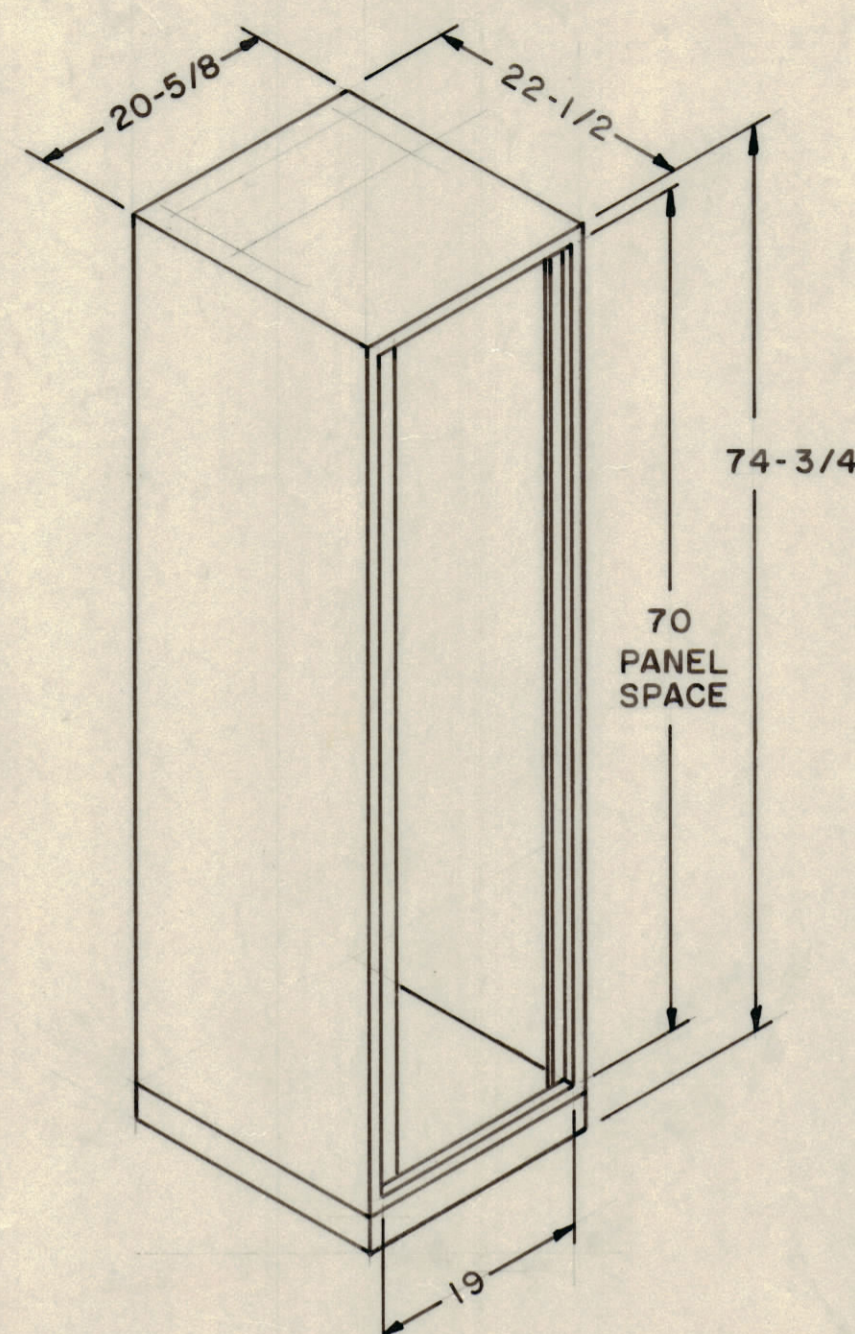


MS-2511 (COMPLETED)

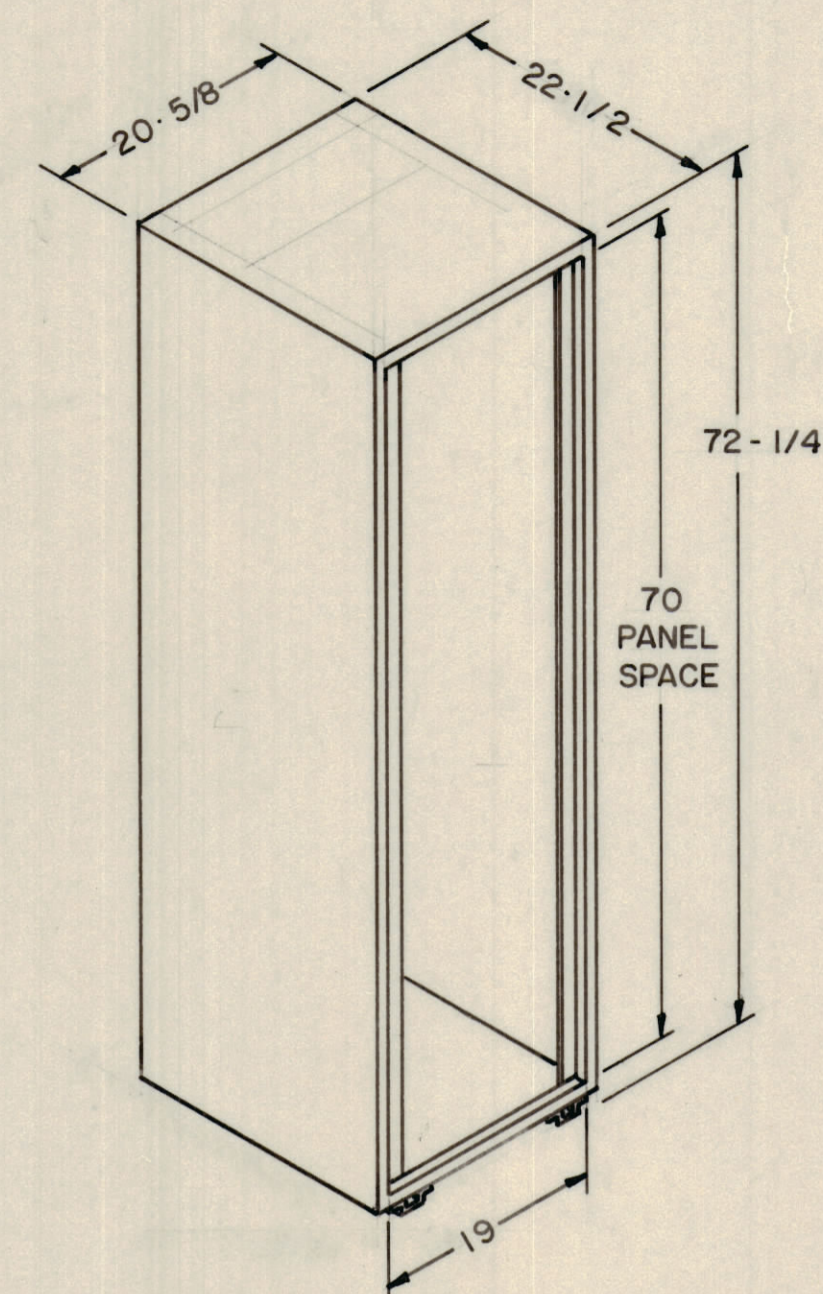
**RAK-12** FOR SPECIFIC USE WITH DDR-6 SYSTEMS.



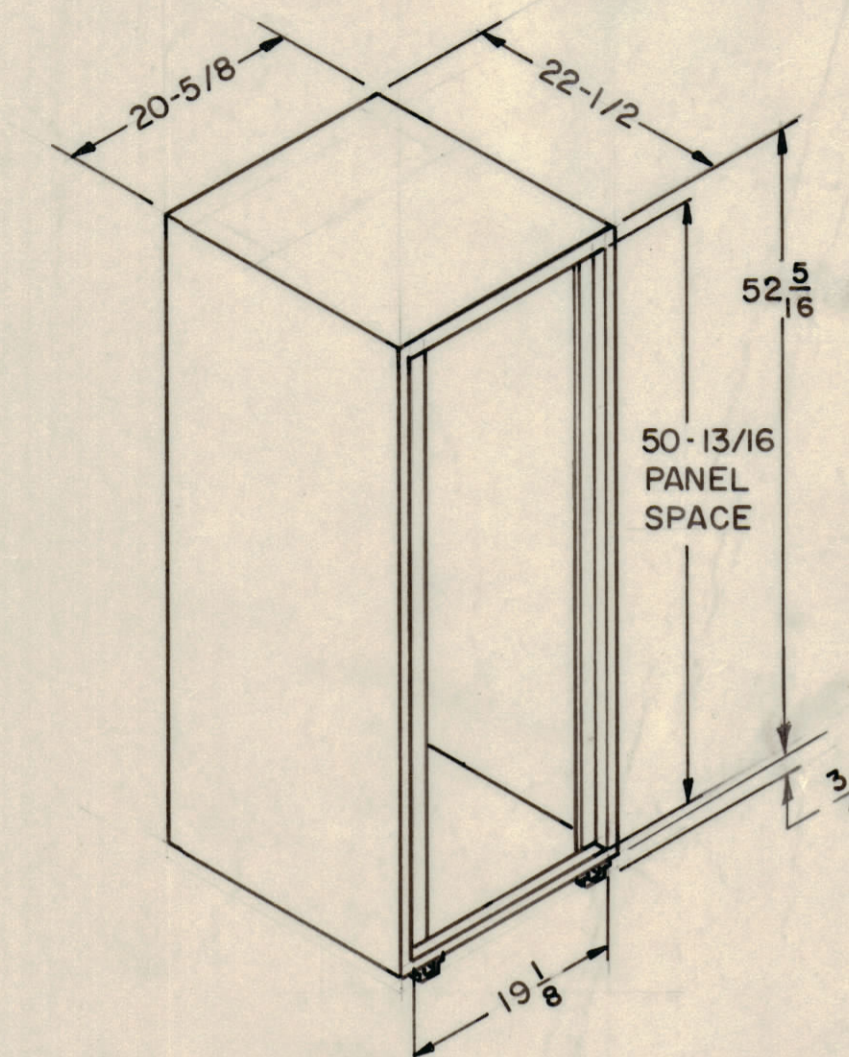
**RAK-13** FOR SPECIFIC USE WITH DDR-6 SYSTEMS.



**RAK-14**



**RAK-15**



MS-2107

TMC MODEL : RAK-11  
NOMENCLATURE  
MATERIAL \_\_\_\_\_ STEEL  
FINISH \_\_\_\_\_ RCAF BLUE / GRAY  
SPACING \_\_\_\_\_ UNIVERSAL  
MATERIAL LIST: ML-RAK-11  
BASIC RACK : 8 MS-2509-1  
MODIFICATION SHEET : 8 MS-2511  
REAR DOOR : 8 MS-2516  
LETTERING, RACK REAR : 4 LD-633  
SHOCK MOUNTS :  
BASE :

SPECIAL FEATURES:

TMC MODEL  
NOMENCLATURE  
SHOCK MOUNTS 4-BOTTOM 2-TOP REAR 6 REQ.  
MATERIAL \_\_\_\_\_ STEEL  
FINISH \_\_\_\_\_ RCAF BLUE / GRAY  
SPACING \_\_\_\_\_ UNIVERSAL  
POWER STRIP  
REAR DOOR  
WEIGHT 240 LBS.

SPECIAL FEATURES:

TMC MODEL  
NOMENCLATURE  
BASE  
MATERIAL \_\_\_\_\_ STEEL  
FINISH \_\_\_\_\_ RCAF BLUE / GRAY  
SPACING \_\_\_\_\_ UNIVERSAL  
POWER STRIP  
REAR DOOR  
WEIGHT 241 LBS.

SPECIAL FEATURES:

RAK-1 MODIFIED

TMC MODEL  
NOMENCLATURE  
GENERAL  
MATERIAL \_\_\_\_\_ STEEL  
FINISH \_\_\_\_\_ RCAF BLUE / GRAY  
SPACING \_\_\_\_\_ UNIVERSAL  
REAR DOOR  
WEIGHT 216 LBS.

SPECIAL FEATURES:

TMC MODEL : RAK-15  
NOMENCLATURE  
MATERIAL \_\_\_\_\_ STEEL  
FINISH \_\_\_\_\_ RCAF BLUE / GRAY  
SPACING \_\_\_\_\_ UNIVERSAL  
MATERIAL LIST:  
MODIFICATION DWG : 8 MS-2107 (7 SHEETS)  
REAR DOOR : P/6 MS-2107 (SHEET 7)  
LETTERING, REAR OF RACK :  
SHOCK MOUNTS :  
BASE :

SPECIAL FEATURES:  
4" REAR RETURN HAS EXPANDED METAL PLATE  
TOP HAS NO OPENING.  
DRAFTING NOTE :

STOCK SIZE				THE TECHNICAL MATERIEL CORP. MAMARONECK, NEW YORK SYSTEMS DEPARTMENT			
SALES ORDER NUMBER		PROPOSAL NUMBER		OR NUMBER			
MATERIAL				TITLE: EQUIPMENT RACKS			
TYPE & TEMPER HEAT TREAT SPEC				RAK, 11, -12, -13, -14, -15			
DRAWN BY		DATE		FINAL APPROVAL		SYSTEM DWG. NO. NO. OF SH.	
J. Roberts		11-29-60		SMP 6/17/61		SY-12333	