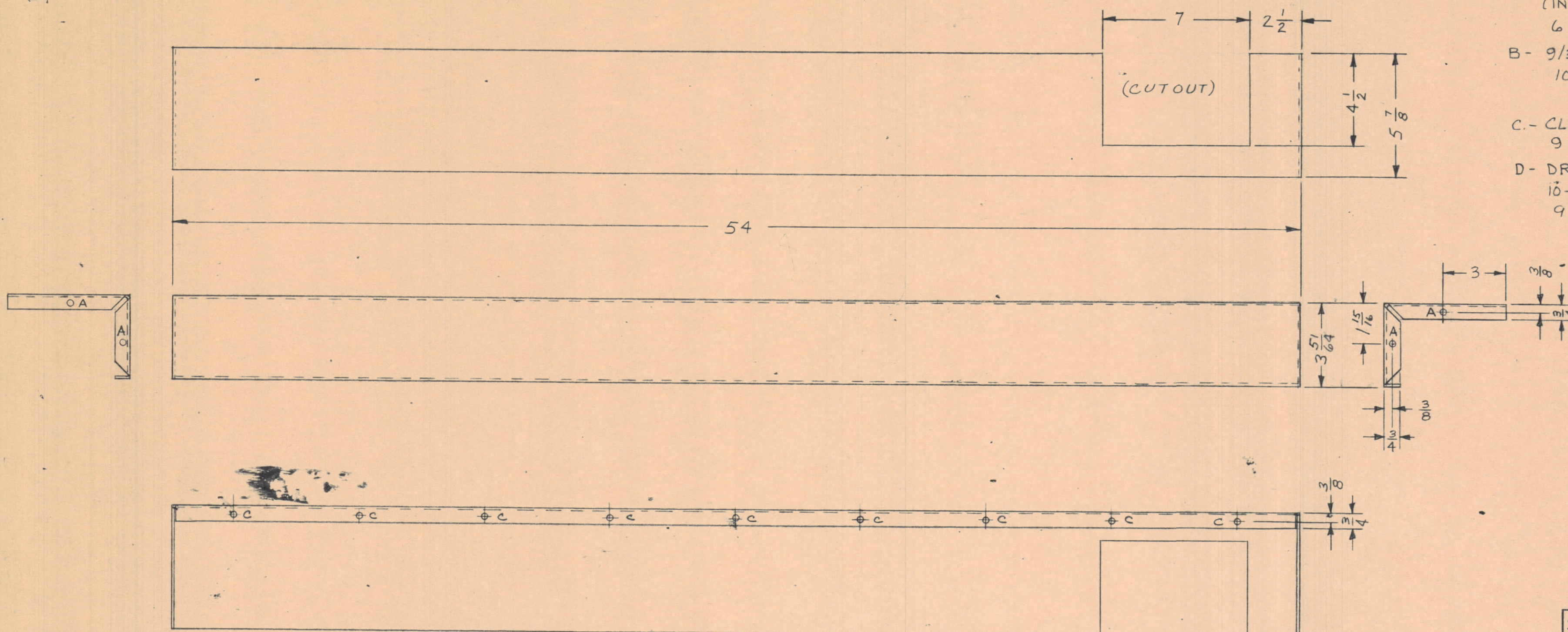
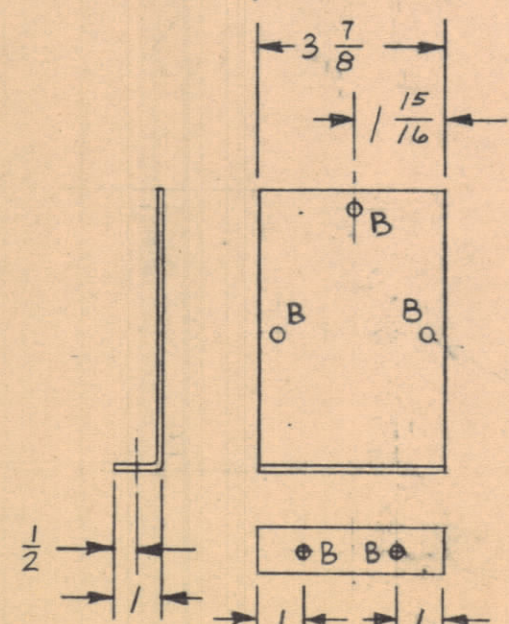
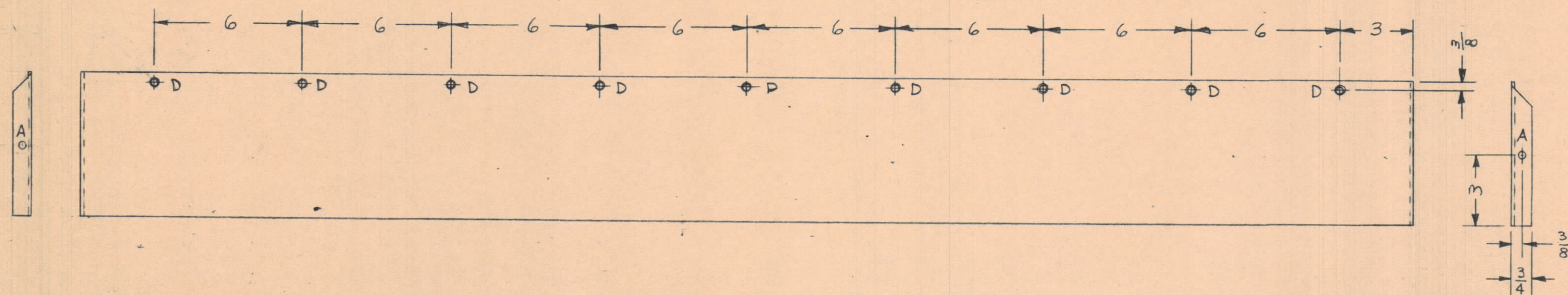


HOLE DATA

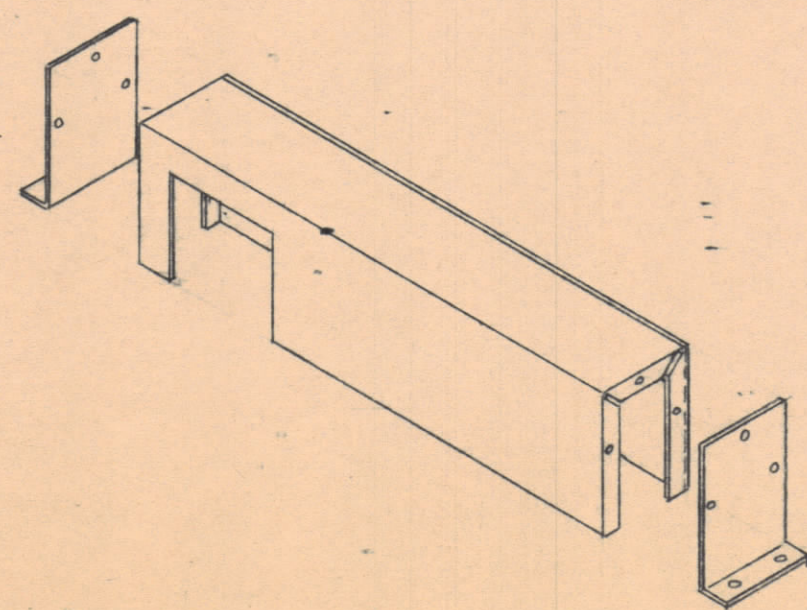
- A - DRILL FOR NT-129-420-4 (INSERT, INSIDE) 6 REQ.
- B - 9/32 CLEARANCE HOLE 10 REQ.
- C - CLEARANCE FOR 10-32 9 REQ.
- D - DRILL & C/SINK FOR 10-32 FLATHEAD SCREW 9 REQ.



SY-2009	
SYSTEM DWG. NO.	NO. OF SH.



END COVER
2 REQ.



OUT TO VIRGINIA
AUG 7 1962

J.O. 1502

.081		THE TECHNICAL MATERIEL CORP.	
STOCK SIZE		MAMARONECK, NEW YORK	
ALUMINUM		SYSTEMS DEPARTMENT	
MATERIAL		SALES ORDER NUMBER	PROPOSAL NUMBER
TYPE & TEMPER HEAT TREAT. SPEC.		TITLE: SYM-2001 PROJECT VAN	
YELLOW IRIDITE		CABLE DUCT FOR XMTR No. 4	
TMC RCAF BLUE		MJT	5-4-61
FINISH & SPEC. NO.		SY-2009	
DRAWN BY	DATE	FINAL APPROVAL	SYSTEM DWG. NO.
			NO. OF SH.

FOR SALES USE ONLY NOT FOR MANUFACTURING