

THE CONTENTS OF THIS DRAWING ARE THE EXCLUSIVE PROPERTY OF THE TECHNICAL MATERIEL CORP. ITS UNAUTHORIZED USE FOR REPRODUCTION IN WHOLE OR IN PART IS STRICTLY FORBIDDEN.

REQ. PER UNIT

USED ON

MODEL

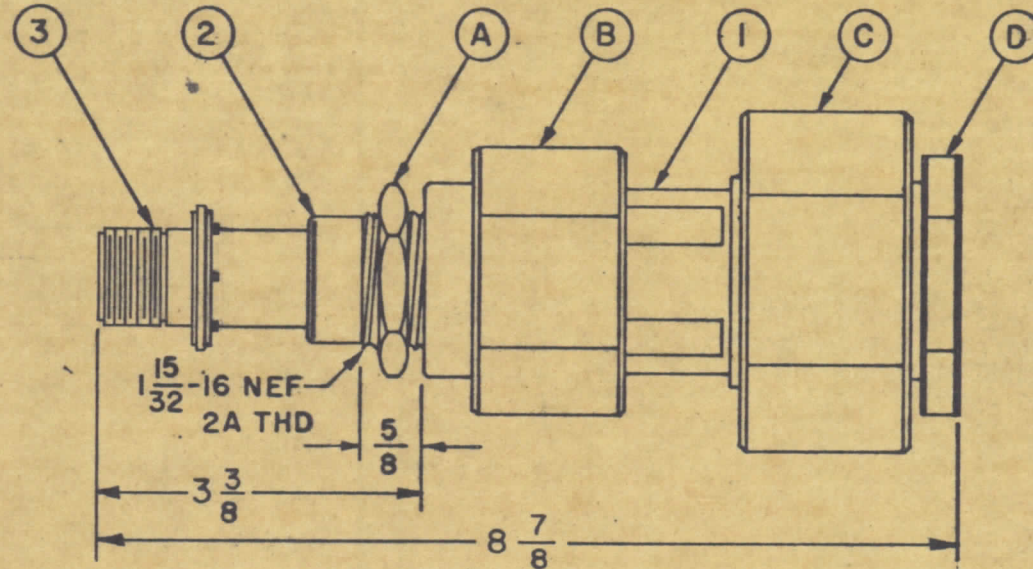
ASS'Y. NO.

DATE

TCA-85/HN

10-17-62

TCA-85/HN



NOTE:

1.

ITEM	ACROSS FLATS	ACROSS CORNERS
A	2	2 5/16
B	2 3/8	2 3/4
C	3	3 7/16
D	2	2 5/8

2. MOUNTING HOLE REQUIRED 1 1/2" DIA.
3. MAXIMUM PANEL THICKNESS 3/8".
4. ITEM 4,5 & 6 SUPPLIED AS LOOSE ITEMS.

1	6	ID-273	INSTALLATION INSTRUCTION
1oz.	5	GL-118	SILICONE COMPOUND
1oz.	4	GL-117	ANTI-SEIZE COMPOUND
1	3	JJ-207	CONNECTOR RECEPTACLE
1	2	A-3086	CONNECTOR ADAPTER ASS'Y.
1	1	A-113	END SEAL ASSEMBLY

REQ. ITEM	PART NO.	DESCRIPTION	SYMBOL
STOCK SIZE		THE TECHNICAL MATERIEL CORP. MAMARONECK, NEW YORK	
MATERIAL		CONNECTOR ADAPTER ASSEMBLY	
SYM	DESCRIPTION	DATE	CH. NO. DRAFTS CHECKER ENG. APP.
UNLESS OTHERWISE SPECIFIED DIMENSIONS ARE IN INCHES AND INCLUDE CHEMICALLY APPLIED OR PLATED FINISHES		SCALE	
DECIMALS X ± .05 XX ± .01 XXX ± .005	TOLERANCES ± 1/64 ANGLES ± 0° 30'	CODE	
TYPE & TEMPER	HEAT TREAT. SPEC.	DRAWN	CHECKED
FINISH & SPEC. NO.		ELEC. DES. APP.	MECH. DES. APP.
		M.TANTILLO	BO
		TCA-85/HN	