

THE CONTENTS OF THIS DRAWING ARE THE EXCLUSIVE PROPERTY OF THE TECHNICAL MATERIEL CORP. ITS UNAUTHORIZED USE FOR REPRODUCTION IN WHOLE OR IN PART IS STRICTLY FORBIDDEN.

REQ. PER UNIT

USED ON

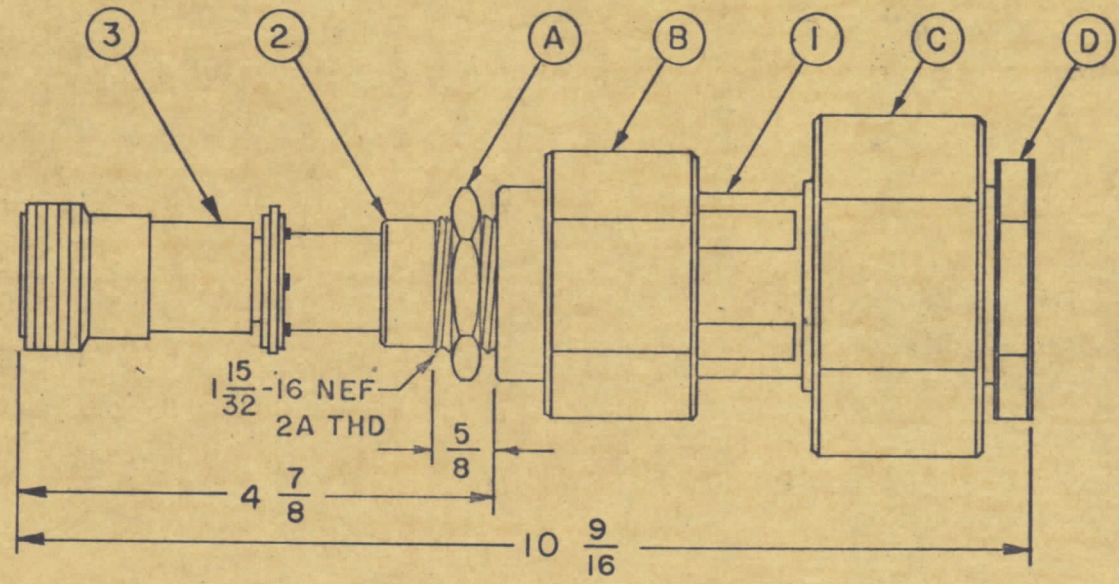
MODEL  
TCA-85/LT

ASS'Y. NO.

DATE

10-19-62

TCA-85/LT



NOTE:

1.

ITEM	ACROSS FLATS	ACROSS CORNERS
A	2	2 5/16
B	2 3/8	2 3/4
C	3	3 7/16
D	2	2 5/8

2. MOUNTING HOLE REQUIRED 1 1/2" DIA.
3. MAXIMUM PANEL THICKNESS 3/8".
4. ITEM 4,5 & 6 SUPPLIED AS LOOSE ITEMS.

1	6	ID-273	INSTALLATION INSTRUCTION
1oz.	5	GL-118	SILICONE COMPOUND
1oz.	4	GL-117	ANTI-SEIZE COMPOUND
1	3	JJ-270	CONNECTOR RECEPTACLE
1	2	A-3086	CONNECTOR ADAPTER ASS'Y.
1	1	A-113	END SEAL ASSEMBLY

REQ. ITEM	PART NO.	DESCRIPTION	SYMBOL
STOCK SIZE		THE TECHNICAL MATERIEL CORP. MAMARONECK, NEW YORK	
MATERIAL		CONNECTOR ADAPTER ASSEMBLY	
TYPE & TEMPER		M.TANTILLO <i>[Signature]</i>	
HEAT TREAT. SPEC.		DRAWN <i>[Signature]</i> CHECKED <i>[Signature]</i> FINAL APPROVAL <i>[Signature]</i>	
FINISH & SPEC. NO.		ELEC. DES. APP. MECH. DES. APP.	

SYM	DESCRIPTION	DATE	CH. NO.	DRAFTS	CHECKER	ENG. APP.

DECIMALS	FRACTIONS	CODE
X ± .05	± 1/64	
XX ± .01	ANGLES	
XXX ± .005	± 0° 30'	

UNLESS OTHERWISE SPECIFIED DIMENSIONS ARE IN INCHES AND INCLUDE CHEMICALLY APPLIED OR PLATED FINISHES

SCALE

TOLERANCES

TCA-85/LT