

THE CONTENTS OF THIS DRAWING ARE THE EXCLUSIVE PROPERTY OF THE TECHNICAL MATERIEL CORP. ITS UNAUTHORIZED USE FOR REPRODUCTION IN WHOLE OR IN PART IS STRICTLY FORBIDDEN.

REQ. PER UNIT

USED ON

MODEL

ASE'Y. NO.

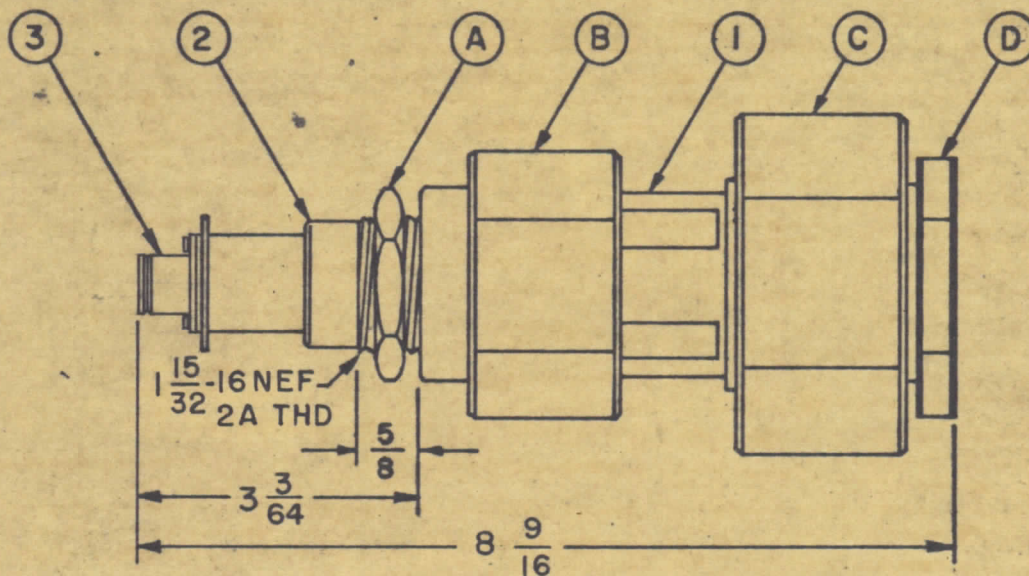
DATE

TCA-85/QDS

10-18-62

TCA-85/QDS

A



NOTE:

1.

ITEM	ACROSS FLATS	ACROSS CORNERS
A	2	2 5/16
B	2 3/8	2 3/4
C	3	3 7/16
D	2	2 5/8

2. MOUNTING HOLE REQUIRED 1 1/2" DIA.
3. MAXIMUM PANEL THICKNESS 3/8".
4. ITEM 4,5 & 6 SUPPLIED AS LOOSE ITEMS.

1	6	ID-282	INSTALLATION INSTRUCTION
1oz.	5	GL-118	SILICONE COMPOUND
1oz.	4	GL-117	ANTI-SEIZE COMPOUND
1	3	JJ-151	CONNECTOR RECEPTACLE
1	2	A-3085	CONNECTOR ADAPTER ASS'Y.
1	1	A-113	END SEAL ASSEMBLY

SYM	DESCRIPTION	DATE	CH. NO.	DRAFTS	CHECKER	ENG. APP.
A	REDRAWN & REVISED	11-2-62	7572	af	JDO	[Signature]
UNLESS OTHERWISE SPECIFIED DIMENSIONS ARE IN INCHES AND INCLUDE CHEMICALLY APPLIED OR PLATED FINISHES		SCALE				
DECIMALS .X ± .05 .XX ± .01 .XXX ± .005		TOLERANCES		FRACTIONS ± 1/64 ANGLES ± 0° 30'		CODE

REQ. ITEM	PART NO.	DESCRIPTION	SYMBOL
THE TECHNICAL MATERIEL CORP. MAMARONECK, NEW YORK			
STOCK SIZE			
CONNECTOR ADAPTER ASSEMBLY			
MATERIAL			
TYPE & TEMPER		HEAT TREAT. SPEC.	
FINISH & SPEC. NO.		ELEC. DES. APP.	MECH. DES. APP.
		M.TANTILLO	[Signatures]
		DRAWN	CHECKED
		FINAL APPROVAL	
		TCA-85/QDS A	