

IF IT IS FOUND DESIRABLE TO CHANGE ANY TOLERANCE OR OTHER DETAIL SPECIFIED ON THIS DRAWING NOTIFY THE PURCHASER PROMPTLY.

STANDARD DRAWING

TE-129

MAXIMUM ALLOWABLE TOLERANCES HAVE BEEN DETERMINED AND DEVIATIONS WILL BE CAUSE FOR REJECTION. REMOVE ALL BURRS AND SHARP EDGES

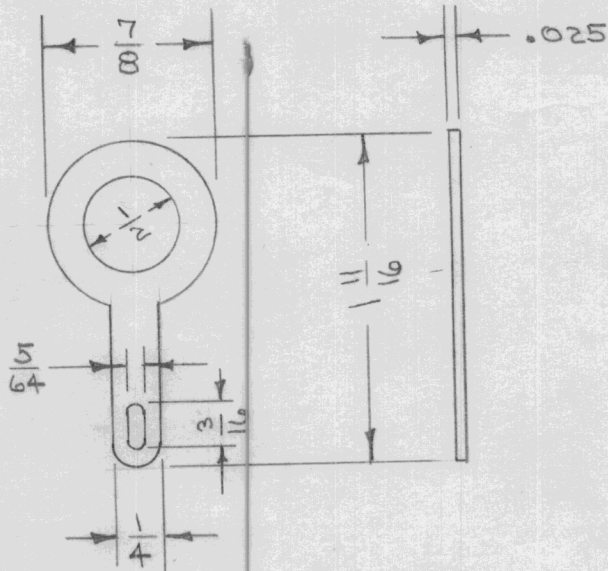
USED ON

MODEL

PROJECT NO.

ASS'Y. NO.

DATE



DIMENSIONS FOR REF. ONLY

REF: ZIERICK MFG. CO. CAT. NO. 379

REQ.	ITEM	PART NO.	DESCRIPTION	SYMBOL
		.025 THICK	THE TECHNICAL MATERIEL CORP. MAMARONECK, NEW YORK	
		STOCK SIZE		
		COPPER	TERMINAL LUG	
		MATERIAL	WEIGHT PER PC.	
		TYPE & TEMPER	C.D. 5-22-53	
			DRAWN	ELEC. DES. APP. MECH. DES. APP.
		HEAT TREAT. SPEC.	JADe	FINAL APPROVAL
		FINISH & SPEC. NO.	CHECKED	TE-129

ISSUE	ITEM	CHANGED FROM	DATE	CN. NO.	DRAFTS	CHECKER	ENG. APP.
		TOLERANCES					

ALL OTHERS	DEC. DIM. \pm	FRAC. DIM. \pm	ANGULAR DIM. \pm	SCALE	DRILL, PUNCH, COMMERCIAL STOCK SIZES AND MANUFACTURERS TOLERANCES ARE NOT INCLUDED.