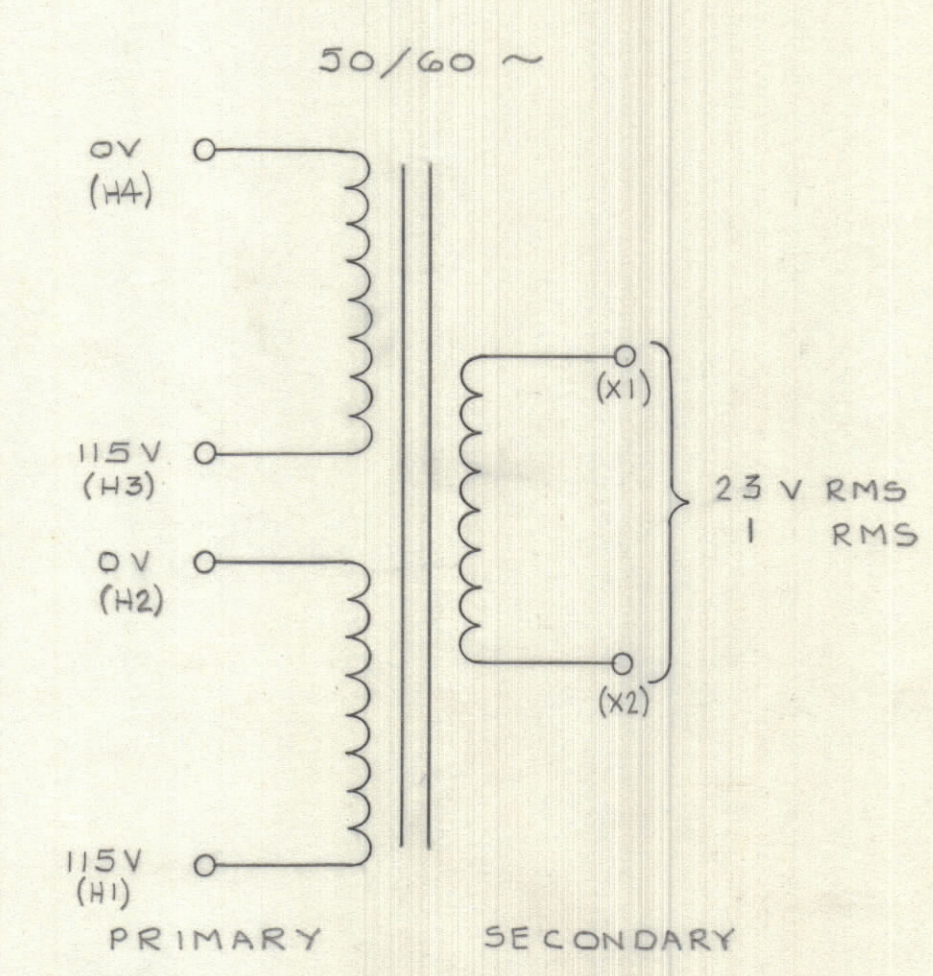
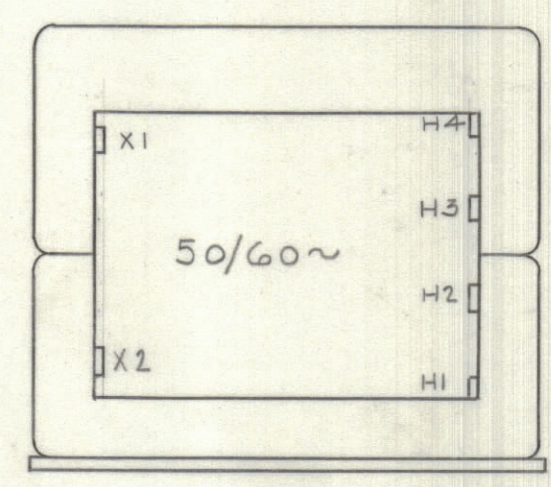
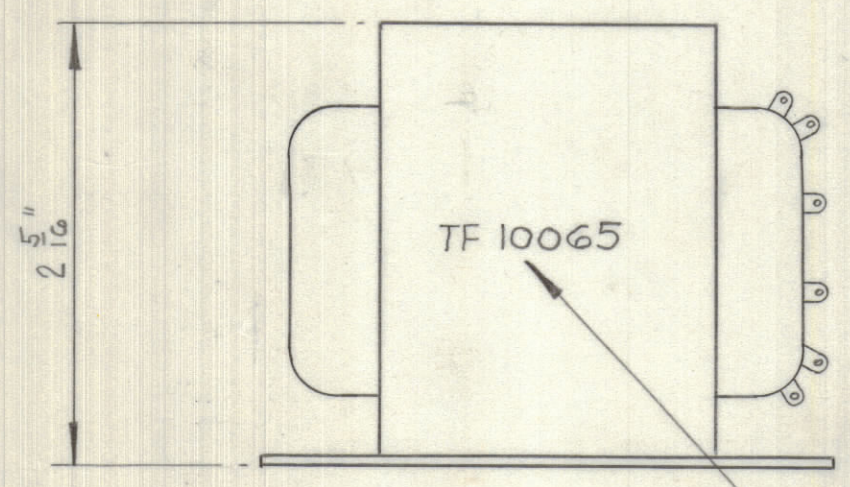


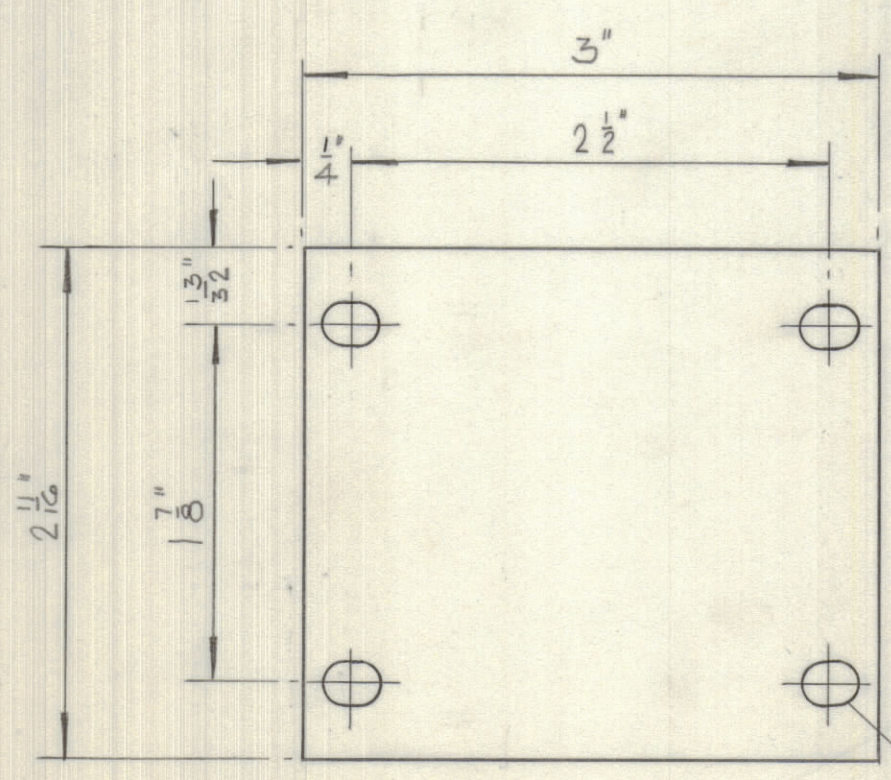
IF IT IS FOUND DESIRABLE TO CHANGE ANY TOLERANCE OR OTHER DETAIL SPECIFIED ON THIS DRAWING NOTIFY THE PURCHASER PROMPTLY.		DIMENSIONS IN INCHES UNLESS OTHERWISE SPECIFIED					
MAXIMUM ALLOWABLE TOLERANCES HAVE BEEN DETERMINED AND DEVIATIONS WILL BE CAUSE FOR REJECTION. REMOVE ALL BURRS AND SHARP EDGES.							
ISSUE	ITEM	CHANGED FROM	DATE	CH. NO.	DRAFTS	CHECKER	ENG. APP.
1		PROD. RELEASE	FEB 71				

REQ.	ITEM	PART NO.	DESCRIPTION	SYMBOL
------	------	----------	-------------	--------



TF10065 ϕ

STAMP T.M.C. PART NO.
1/8" GOTHIC HIGH



1/4" x 3/8" SLOTS.
(4 REQ'D)

- NOTES:-**
- (1) PRIMARY : 115 / 230 VAC
 - (2) SECONDARY : 23 VRMS AT 1A RMS
 - (3) CONSTRUCTION : FLEXI-CORE

MFGR S10045-23
MFGR PART NO. TO ADVISE

TOLERANCES		SCALE: FULL SIZE
ALL DEC. DIM. \pm .05	.XX*.01	DRILL, PUNCH, COMMERCIAL STOCK
OTHERS FRAC. DIM. \pm 1/64	.XXX*.008	SIZES AND MANUFACTURERS
ANGULAR DIM. \pm 0° 30'		TOLERANCES ARE NOT INCLUDED.

JM C 8			
MODEL	PROJECT NO.	ASS'Y. NO.	DATE
USED ON			

STOCK SIZE		TMC (Canada) LIMITED OTTAWA ONTARIO	
MATERIAL		TRANSFORMER POWER.	
WEIGHT PER PC.			
TYPE & TEMPER		G.C.T.	S.T.
DRAWN		ELEC. DES. APP.	MECH. DES. APP.
HEAT TREAT. SPEC.		FINAL APPROVAL	
CHECKED			
FINISH & SPEC. NO.		BLACK EPOXY DIP	
		TF10065 ϕ	