

IF IT IS FOUND DESIRABLE TO CHANGE ANY TOLERANCE OR OTHER DETAIL SPECIFIED ON THIS DRAWING NOTIFY THE PURCHASER PROMPTLY.
 MAXIMUM ALLOWABLE TOLERANCES HAVE BEEN DETERMINED AND DEVIATIONS WILL BE CAUSE FOR REJECTION. REMOVE ALL BURRS AND SHARP EDGES

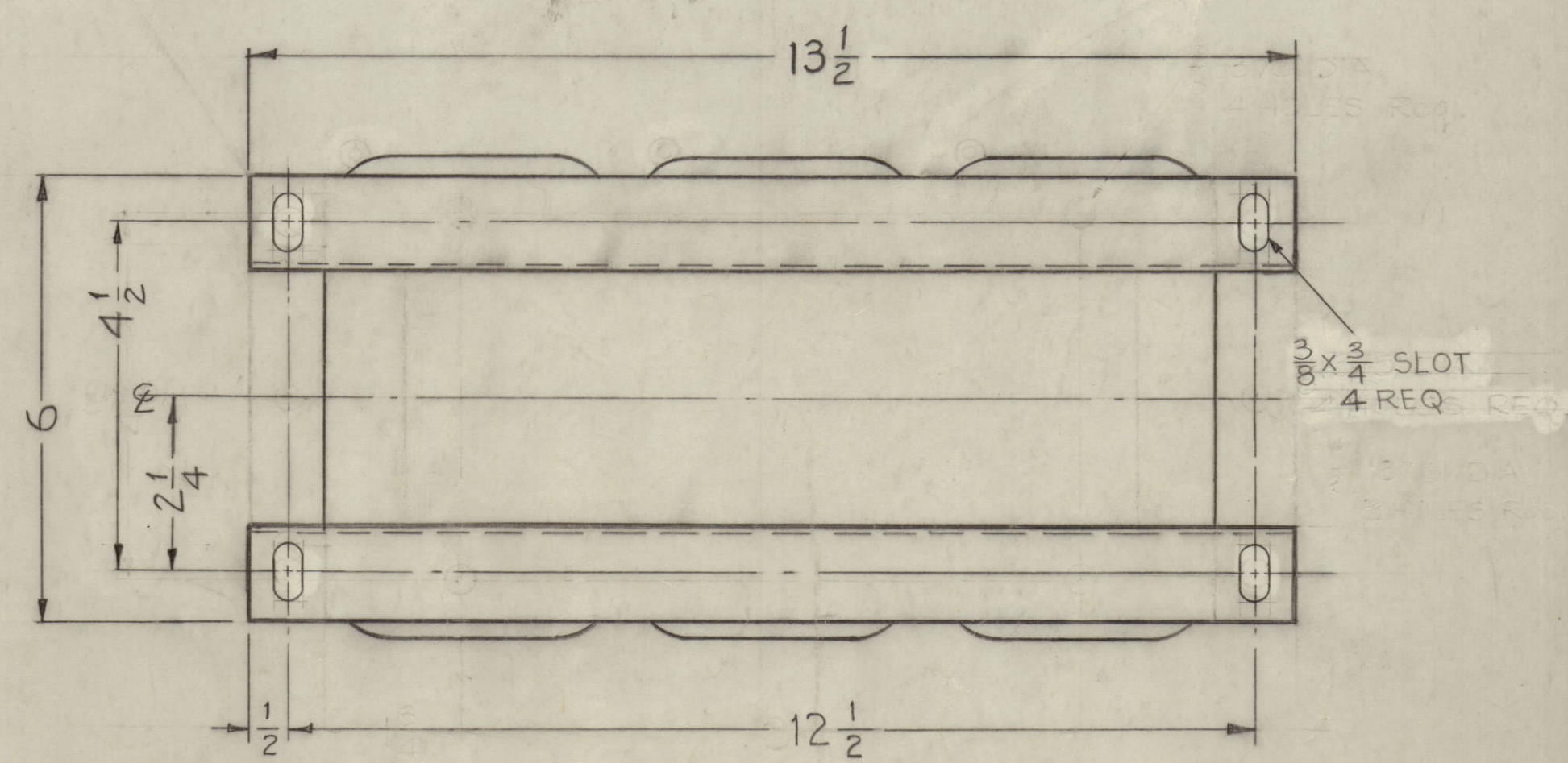
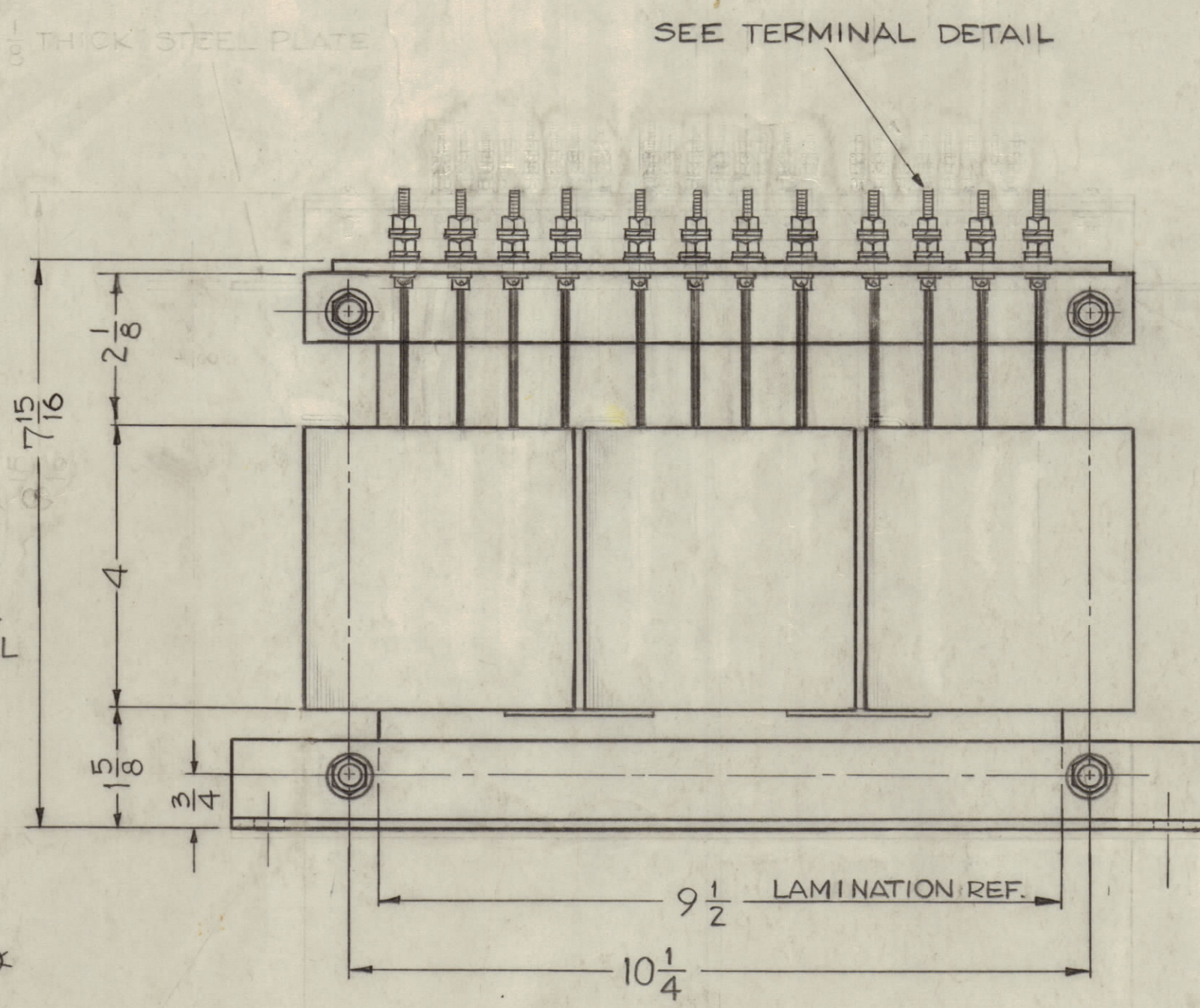
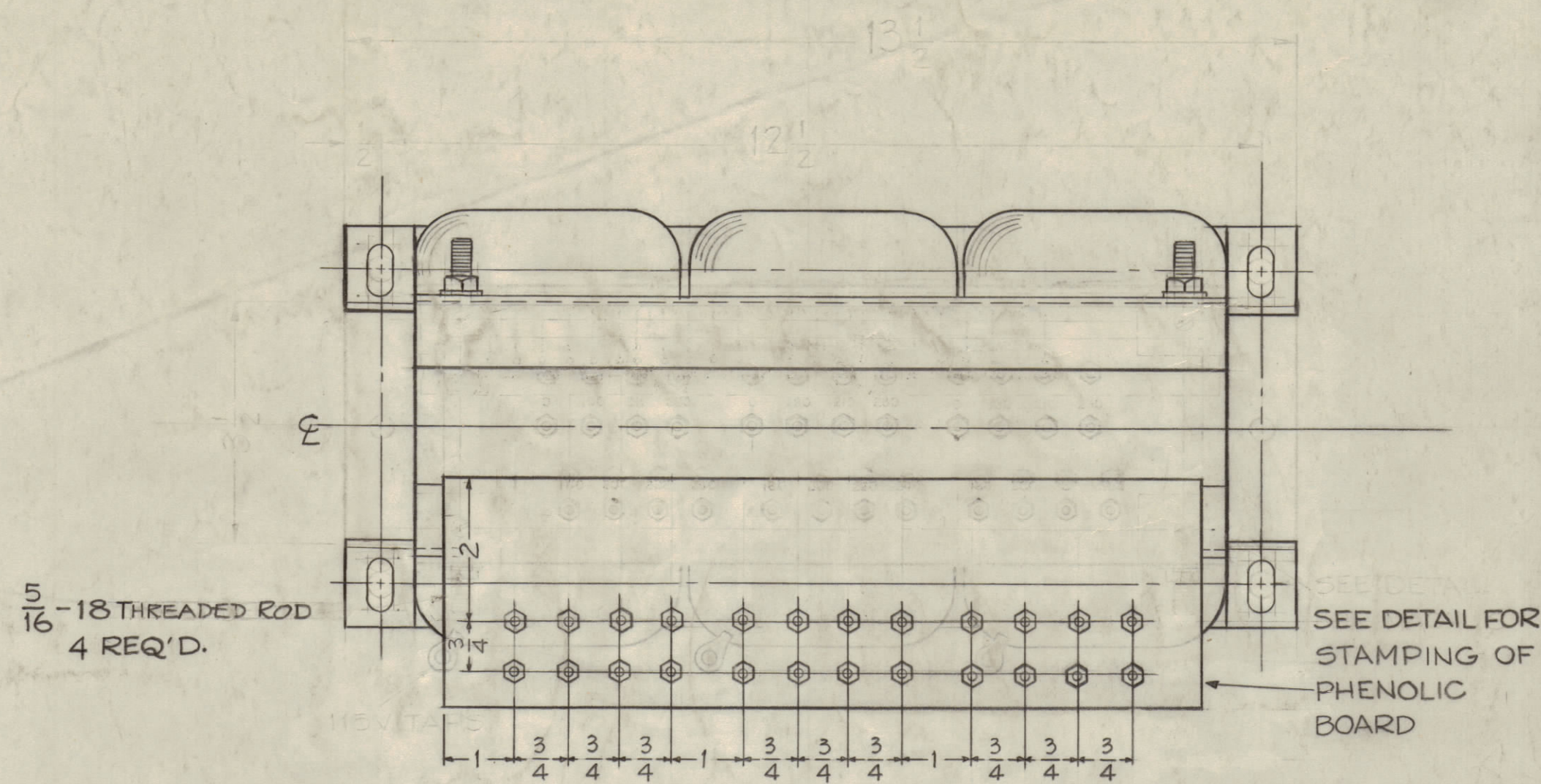
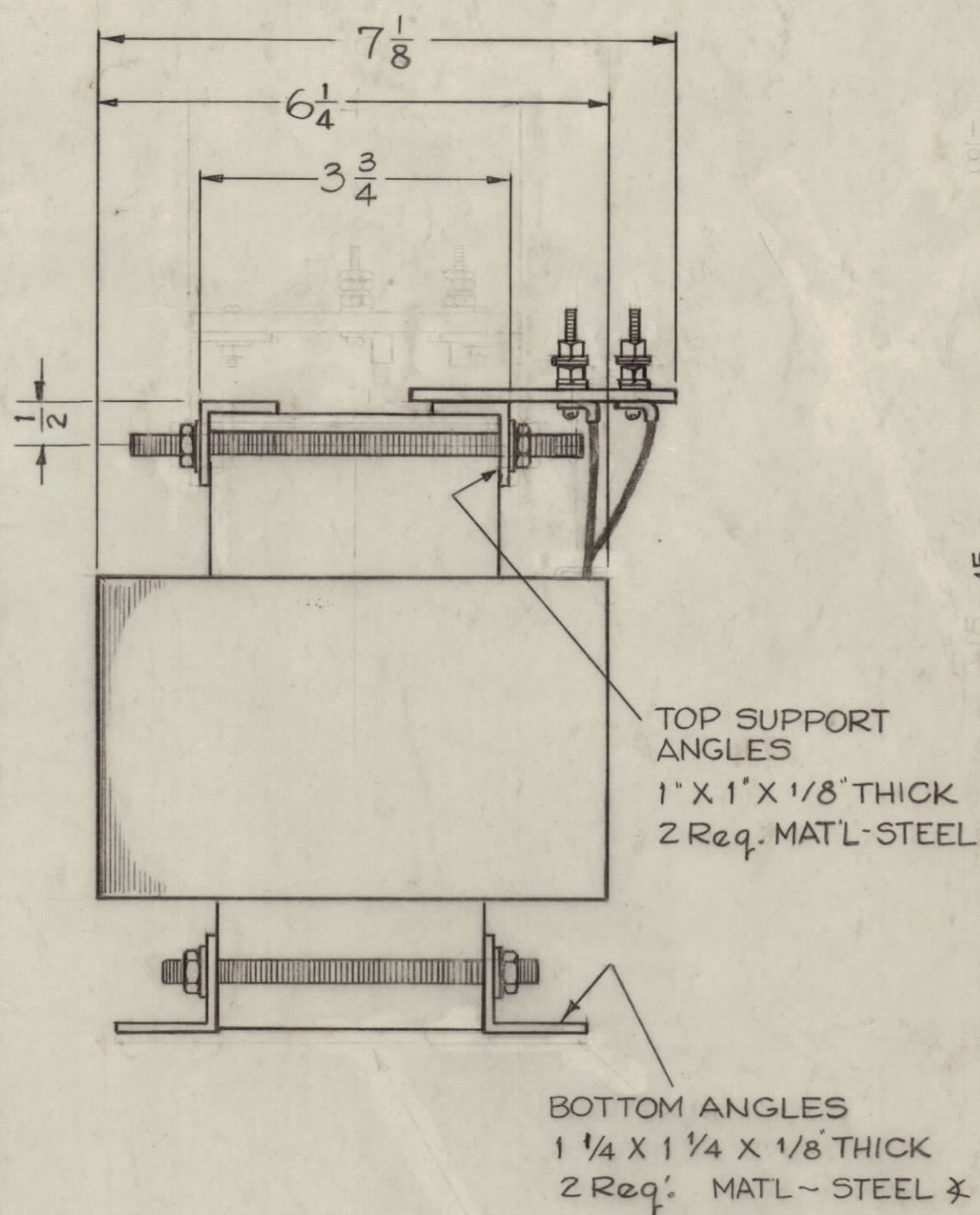
ELECTRICAL SPECIFICATIONS

THREE WINDINGS
 INPUT - 190, 200, 210, 220, 230, 240, 250 VAC.
 50/60CPS (3 PHASE)
 CURRENT RATING - 25 AMPS EACH PHASE
 INSULATION - EACH WINDING INSULATED FOR 1500 VOLTS

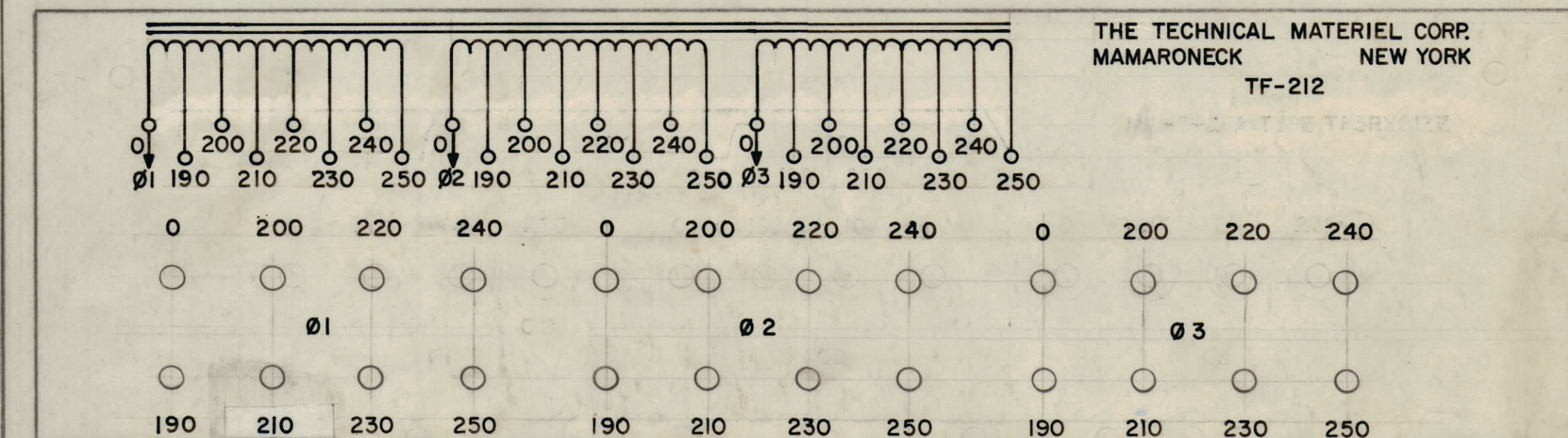
MECHANICAL SPECIFICATIONS

CONSTRUCTION - OPEN FRAME TYPE
 FINISH - TMC SMOOTH GRAY ENAMEL (S-115)
 EXCEPT TERMINAL BOARD AND TERMINALS

NOTE - MANUFACTURED IN ACCORDANCE WITH MIL SPEC T-27-A EXCEPT THAT MIL SPEC T-27-A SHALL NOT APPEAR ON CASE AND QUALIFICATION TESTING IS NOT REQUIRED.

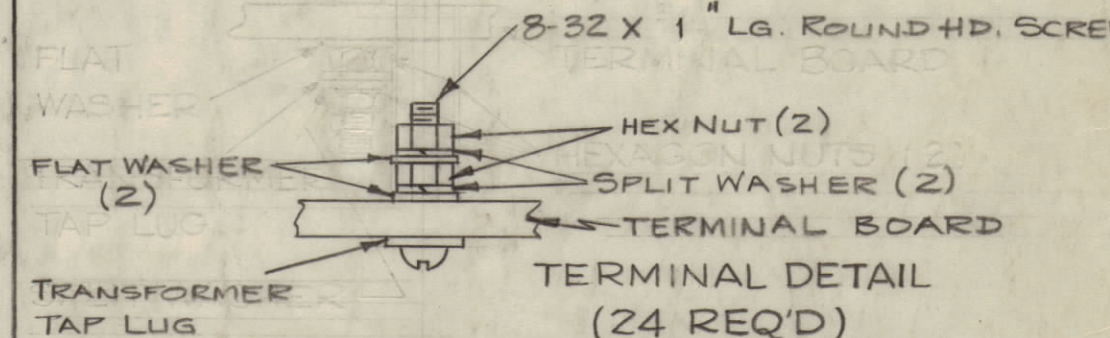


NOTE ~
 1 ~ MAT'L ~ BLACK PHENOLIC, 3/16 THICK
 2 ~ ALL LETTERING 1/8" HIGH, WHITE GOTHIC.



THE TECHNICAL MATERIEL CORP.
 MAMARONECK NEW YORK
 TF-212

~ STAMPING DETAIL ~



E	2	IN STAMPING DETAIL: TOWER SET 0.250	3-9-65	17669	HP	JCS	EM
D	1	DELETED: AMPS ADDED TO ASSEMBLY NO. 3/8" X 3/4" SLOTS WERE 3/8" DIA HOLES	2-25-63	2616	HP	JCS	EM
C	1	NOTE ADDED (MIL T-27-A)	4-28-60	2572	HP	JCS	EM
B	1	VOLTAGE: 190, 200, 210, 220, 230, 240, 250, WAS: 190, 190, 200, 210, 220, 230, 240	1-22-60	1800	HP	JCS	EM
A	2	Bottom Mtg Plate Deleted	1-12-60	1755	J.C.B.	HP	EM
A	1	Terminal Bd. Revised					
ISSUE ITEM		CHANGED FROM	DATE	CH. NO.	DRAFTS	CHECKER	ENG. APP.
TOLERANCES		SCALE:					
ALL OTHERS	DEC. DIM. ±	DRILL PUNCH COMMERCIAL STOCK					
	FRAC. DIM. ±	SIZES AND MANUFACTURERS					
	ANGULAR DIM. ±	TOLERANCES ARE NOT INCLUDED.					

1	GPT40K	AP118	12-23-59
REQ. PER UNIT	MODEL	PROJECT NO.	DATE
		APPY. NO.	
		USED ON	

REQ. ITEM	PART NO.	DESCRIPTION	SYMBOL
		THE TECHNICAL MATERIEL CORP. MAMARONECK, NEW YORK	
		AUTO TRANSFORMER THREE PHASE	
		John C. Biele	EM
		DRAWN	ELEC. DES. APP. MECH. DES. APP.
		CHECKED	FINAL APPROVAL
			TF-212 E