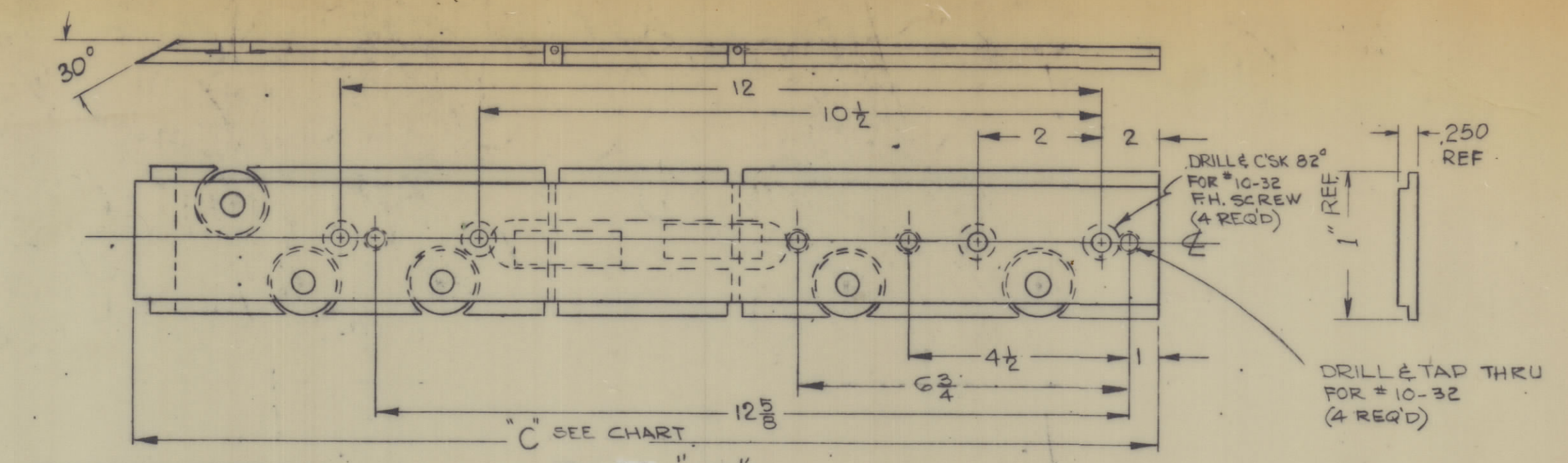
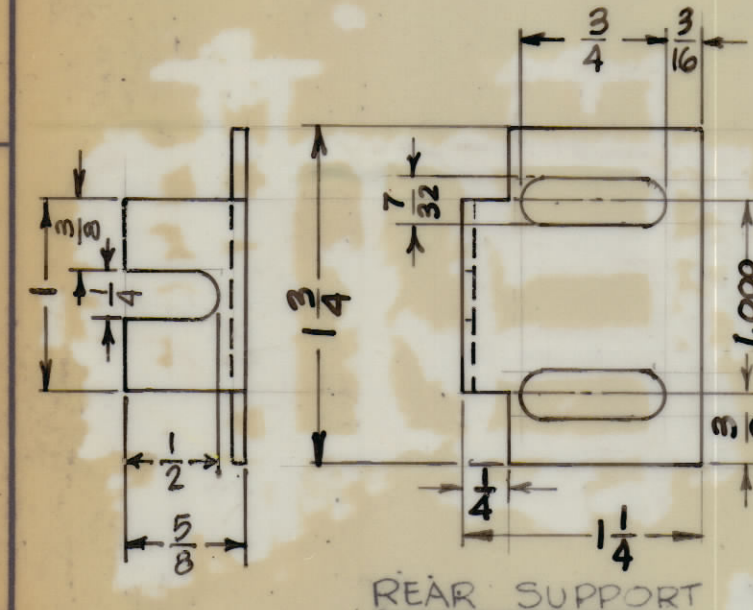


STATIONARY & INTERMEDIATE SECTION NO SCALE

TK126-XXT CONSISTS OF: ONE RIGHT SIDE (AS SHOWN) & ONE LEFT SIDE (OPP. HAND)

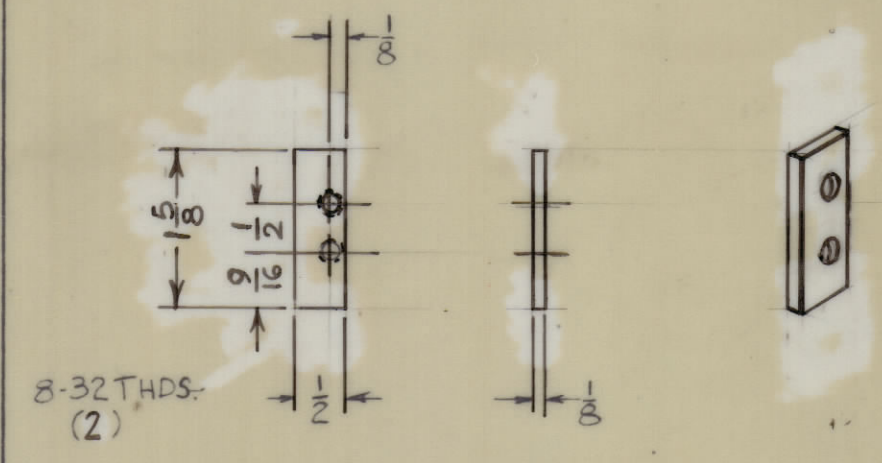


TK126-XXG CONSISTS OF: ONE RIGHT SIDE (AS SHOWN) & ONE LEFT SIDE (OPP. HAND)

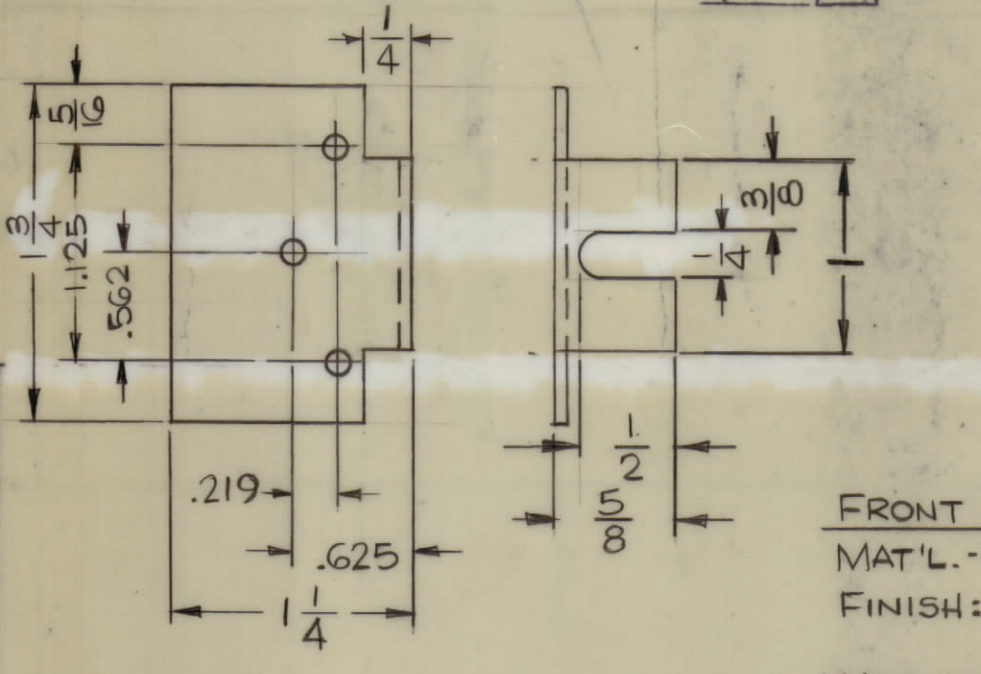


REAR SUPPORT TK126-RS MFR. NO. 030683

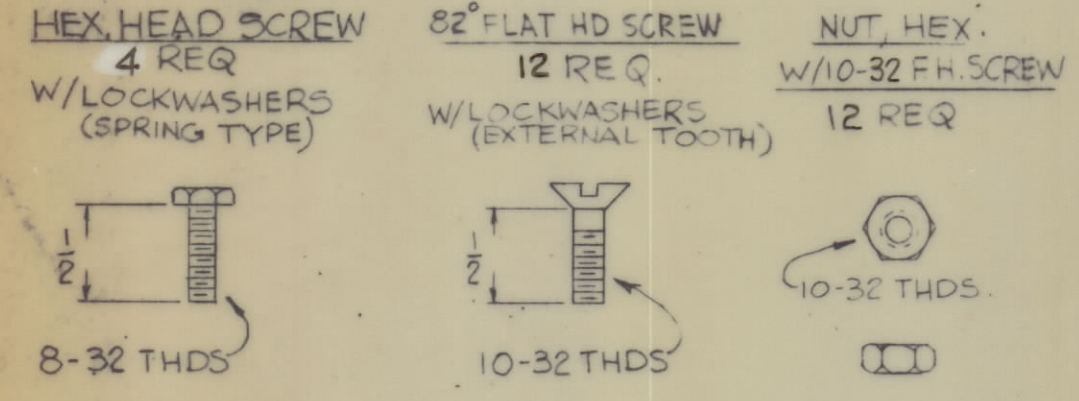
MAT'L: 16 GA. CRS FINISH: ZINC PL., IRIDITE



BAR NUT (HALF SCALE) TK126-NB

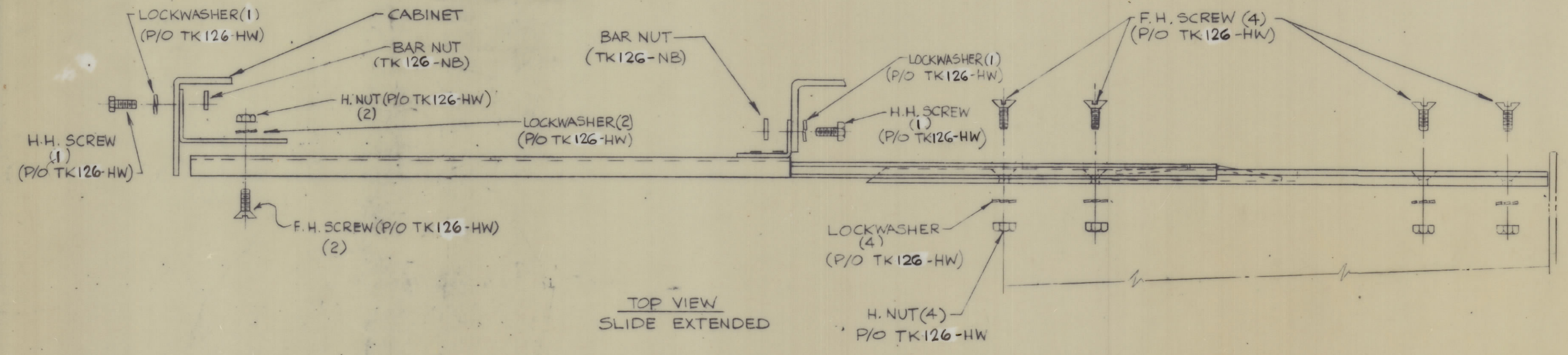


FRONT BRACKET MAT'L: CRS, 16 GA. FINISH: ZINC PL., IRIDITE MFR. NO. 030634

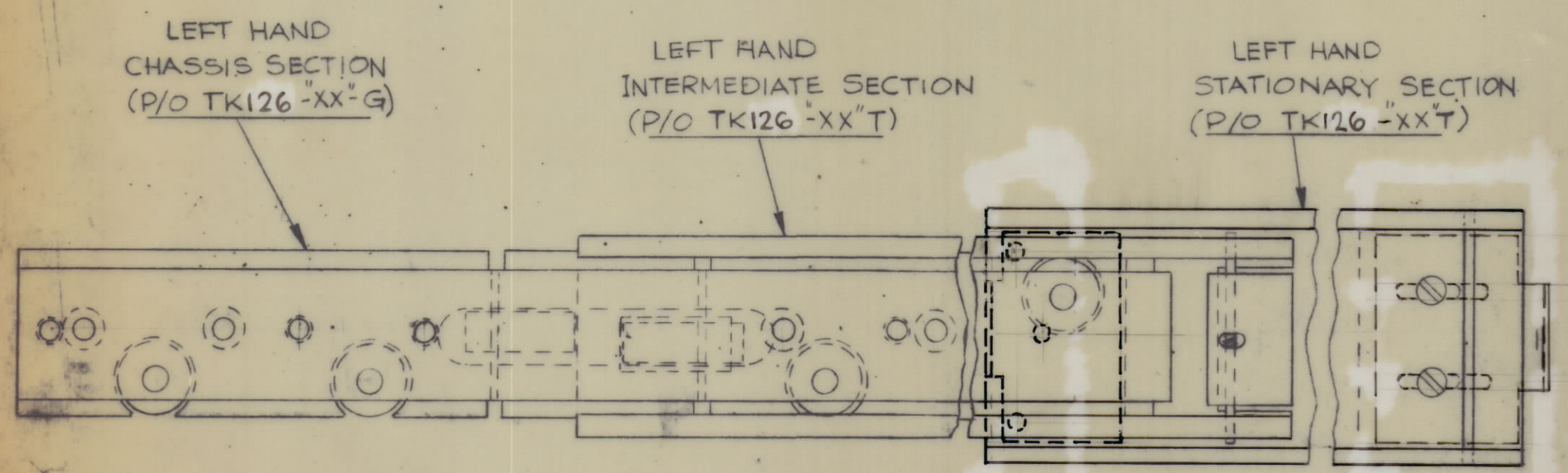


HARDWARE TK126-HW

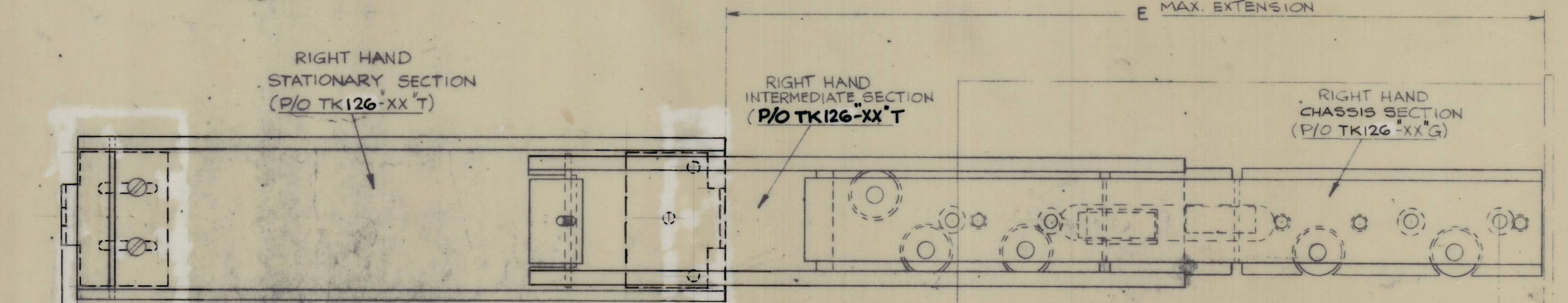
NOTE: HARDWARE TO BE FURNISHED BY MANUFACTURER



TOP VIEW SLIDE EXTENDED



LEFT HAND ASSEMBLY



RIGHT HAND ASSEMBLY (INSIDE VIEW, CHASSIS IN PHANTOM)

STANDARD DRAWING

REF. TRACK & SLIDE ASS'Y. - PT. #25867, MODIFIED - GRANT PULLEY & HARDWARE CORP.

SYM	ZONE	DESCRIPTION	DATE	CH. NO.	DRAFTS	CHECKER	ENG. APP.	TMC PURCH. PART NO.	MFG NO.	DIMENSIONS								STATIONARY & INTER. SECT. ONE SET	CHASSIS SECTION ONE SET	REAR SUPPORT TWO	BAR NUT FOUR	HARDWARE ONE SET
										A	B	C	D	E	F	G						
		ORIGINAL RELEASE FOR PRODUCTION	10/21/65					TK126-18	25867	18	17 1/2	17 1/4	16	20	2	1 1/4	TK126-18T	TK126-18G	TK126-RS	TK126-NB	TK126-HW	

REQ. PER UNIT	MODEL	SECTION	ASSTY. NO.	DATE
1	COPA-2			10-22-65

REQ. ITEM	PART NO.	DESCRIPTION	SYMBOL
		THE TECHNICAL MATERIEL CORP. MAMARONECK, NEW YORK	
		TRACK & SLIDE SET, 2" WIDE, FIXED TYPE	
		ALUMINUM (EXCEPT WHERE NOTED)	
		7075-T6	
		CLEAR ANODIZE	
		TK126	