

THE CONTENTS OF THIS DRAWING ARE THE EXCLUSIVE PROPERTY OF THE TECHNICAL MATERIEL CORP. ITS UNAUTHORIZED USE OR REPRODUCTION IN WHOLE OR IN PART IS STRICTLY FORBIDDEN.

REQ. PER UNIT

1 HFR-1/T

USED ON

MODEL

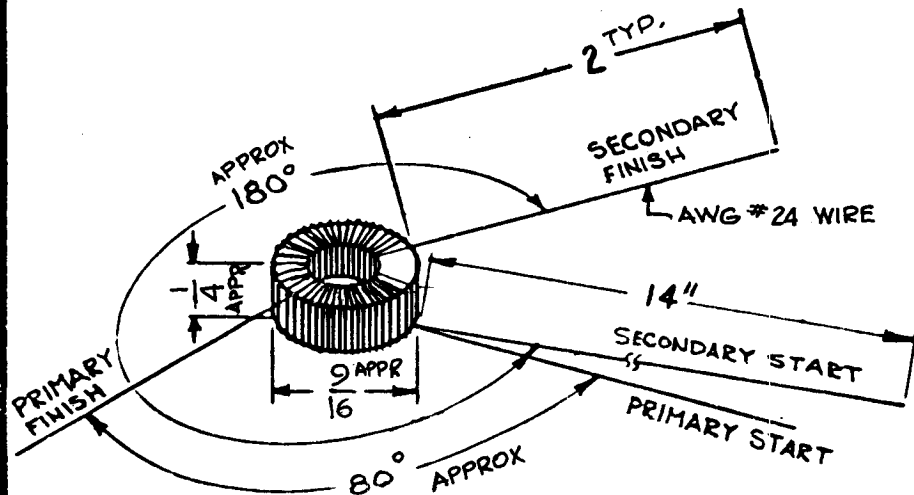
ASSY. NO.

DATE

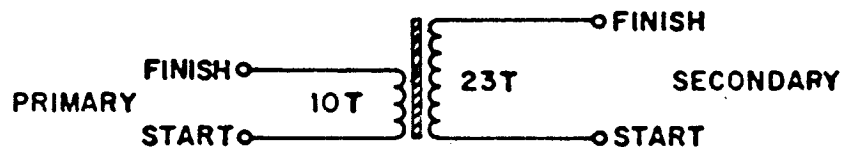
A-2527

8-31-62

TZ-111



SCHEMATIC DIAGRAM



ELECTRICAL SPECIFICATIONS

SECONDARY ~ $L = 2.68 \mu h \pm 0.1 \mu h$
 WITH COIL CLAMPED INTO Q-METER $1/2$ " AWAY FROM
 TERMINALS, WITH START END OF COIL TO LOW SIDE.
 $Q = 160$ AT 7.9 MC
 $C \text{ DISTRIB} = 1.4 \mu \mu f$ (FOR REF ONLY)
 PRIMARY ~ $L = 0.96 \mu h$ (FOR REF. ONLY)
 $C \text{ DISTRIB} = 2.9 \mu \mu f$ (FOR REF ONLY)

MODEL	REQ	FUNCTION	FREQ (MC)	SYMBOL
HFR-1/T	1	BAND *4	6-8 MC	T1005

REQ.	ITEM	PART NO.	DESCRIPTION	SYMBOL								
			THE TECHNICAL MATERIEL CORP. MAMARONECK, NEW YORK									
			TRANSFORMER, ANTENNA									
			BAND 4, FREQ. 6-8 MC									
SYM	DESCRIPTION	DATE	CH. NO.	DRAFTS	CHECKER	ENG. APP.	MATERIAL	TYPE & TEMPER	HEAT TREAT. SPEC.	DRAWN	CHECKED	FINAL APPROVAL
	UNLESS OTHERWISE SPECIFIED: DIMENSIONS ARE IN INCHES TOLERANCES ON FRAC. $\pm 1/64$ DEC. $\pm .008$ ANGLES $\pm 1/2^\circ$		SCALE: 1A-2527							J. ANGER		TZ-111
			MAXIMUM ALLOWABLE TOLERANCES HAVE BEEN DETERMINED AND ANY DEVIATIONS WILL BE CAUSE FOR REJECTION. REMOVE ALL BURRS AND SHARP EDGES									