

THE CONTENTS OF THIS DRAWING ARE THE EXCLUSIVE PROPERTY OF THE TECHNICAL MATERIEL CORP. ITS UNAUTHORIZED USE OR REPRODUCTION IN WHOLE OR IN PART IS STRICTLY FORBIDDEN.

REQ. PER UNIT

USED ON

MODEL

ASSY. NO.

DATE

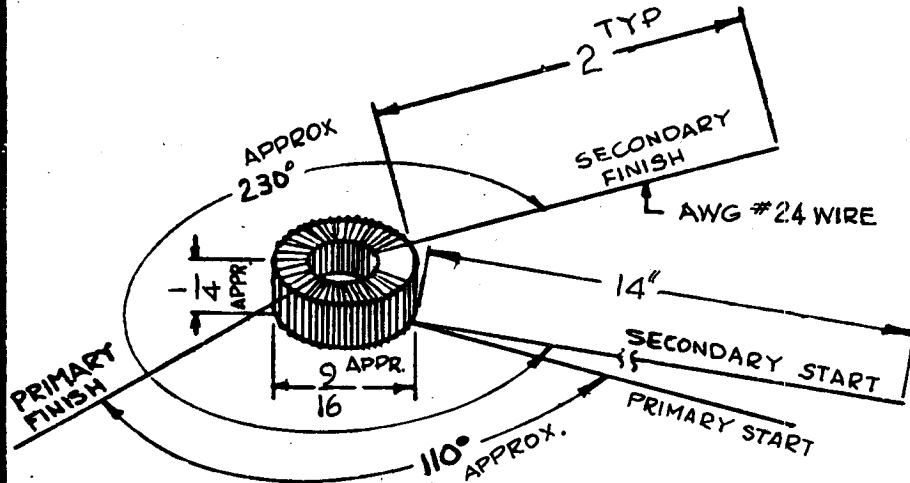
1

HFR-1/T

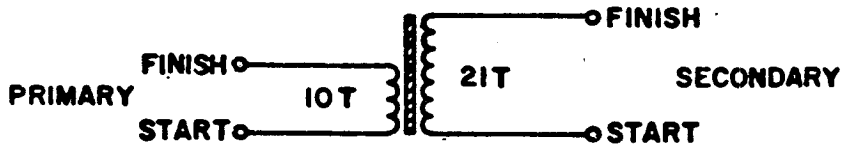
A-2528

8-31-62

TZ-112



SCHEMATIC DIAGRAM



ELECTRICAL SPECIFICATIONS

SECONDARY ~ $L = 2.1 \mu h \pm 0.07 \mu h$
 WITH COIL CLAMPED INTO Q-METER 1/2" AWAY FROM
 TERMINALS, WITH START END OF COIL TO LOW SIDE.
 $Q = 165$ AT 7.9 MC
 C DISTRIB $1.1 \mu \mu f$ (FOR REF. ONLY)
 PRIMARY ~ $L = 0.82 \mu h$ (FOR REF. ONLY)
 C DISTRIB $2.5 \mu \mu f$ (FOR REF. ONLY)

MODEL	REQ	FUNCTION	FREQ (MC)	SYMBOL
HFR-1/T	1	BAND # 5	8-12 MC	T1006

SYM	DESCRIPTION	DATE	CH. NO.	DRAFTS	CHECKER	ENG. APP.	REQ. ITEM	PART NO.	DESCRIPTION	SYMBOL
									THE TECHNICAL MATERIEL CORP. MAMARONECK, NEW YORK	
									TRANSFORMER, ANTENNA	
									BAND 5, FREQ. 8-12 MC.	
									<i>G. Green</i> <i>H. H. H.</i> <i>BP</i>	
									DRAWN CHECKED FINAL APPROVAL	
									<i>J. ANGER</i>	TZ-112
									ELEC. DES. APP. MECH. DES. APP.	

UNLESS OTHERWISE SPECIFIED:
 DIMENSIONS ARE IN INCHES
 TOLERANCES ON
 FRAC. $\pm 1/64$ DEC. $\pm .005$ ANGLES $\pm 1/2^\circ$

SCALE: 1A-2528
 MAXIMUM ALLOWABLE TOLERANCES HAVE
 BEEN DETERMINED AND ANY DEVIATIONS
 WILL BE CAUSE FOR REJECTION.
 REMOVE ALL BURRS AND SHARP EDGES