

THE CONTENTS OF THIS DRAWING ARE THE EXCLUSIVE PROPERTY OF THE TECHNICAL MATERIEL CORP. ITS UNAUTHORIZED USE OR REPRODUCTION IN WHOLE OR IN PART IS STRICTLY FORBIDDEN.

REQ. PER UNIT

USED ON

MODEL

ASS'Y. NO.

DATE

1

HFR-1/T

A-2530

8-31-62

TZ-114

ELECTRICAL SPECIFICATIONS

SECONDARY ~ $L = 1.3 \mu h \pm 0.03 \mu h$

WITH COIL CLAMPED INTO Q-METER

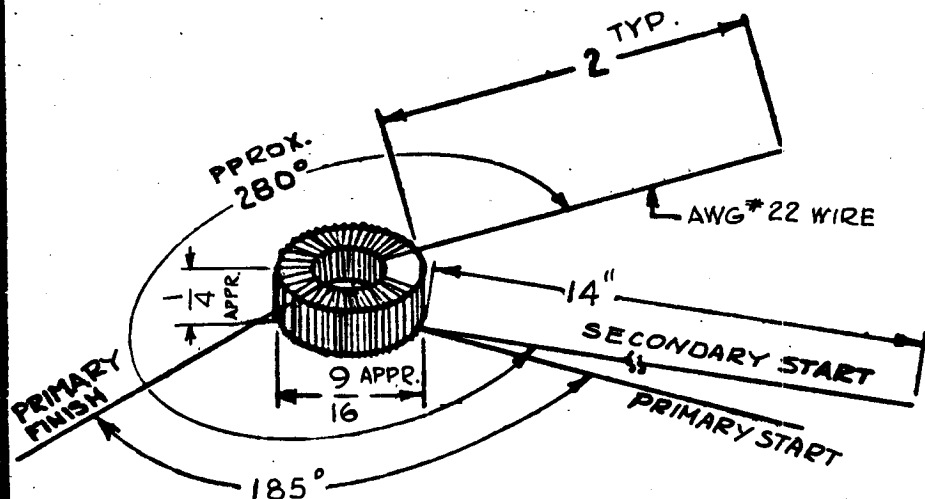
TERMINALS WITH START END OF COIL TO LOW SIDE.

Q = 140 AT 25 MC

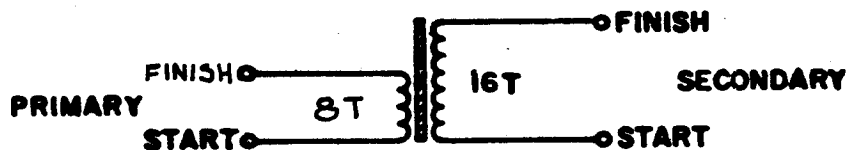
C DISTRIB = $1.0 \mu \mu f$ (FOR REF. ONLY)

PRIMARY ~ $L = 0.55 \mu h$ (FOR REF. ONLY)

C DISTRIB = $2.8 \mu \mu f$ (FOR REF. ONLY)



SCHEMATIC DIAGRAM



MODEL	REQ	FUNCTION	FREQ (MC)	SYMBOL
HFR-1/T	1	BAND #7	16-24 MC	T100B

SYM	DESCRIPTION	DATE	CH. NO.	DRAFTS	CHECKER	ENG. APP.	REQ. ITEM	PART NO.	DESCRIPTION	SYMBOL	
									THE TECHNICAL MATERIEL CORP.		
									MAMARONECK NEW YORK		
									TRANSFORMER, ANTENNA		
									BAND 7, FREQ. 16-24 MC		
UNLESS OTHERWISE SPECIFIED:		SCALE: 1A-2530									
DIMENSIONS ARE IN INCHES		MAXIMUM ALLOWABLE TOLERANCES HAVE BEEN DETERMINED AND ANY DEVIATIONS WILL BE CAUSE FOR REJECTION.					TYPE & TEMPER	HEATTREAT. SPEC.	DRAWN	CHECKED	FINAL APPROVAL
TOLERANCES ON		REMOVE ALL BURRS AND SHARP EDGES							J. ANGER		
FRAC. $\pm 1/64$ DEC. $\pm .005$ ANGLES $\pm 1/2^\circ$							FIMISH & SPEC. NO.		ELEC. DES. APP.	MECH. DES. APP.	TZ-114