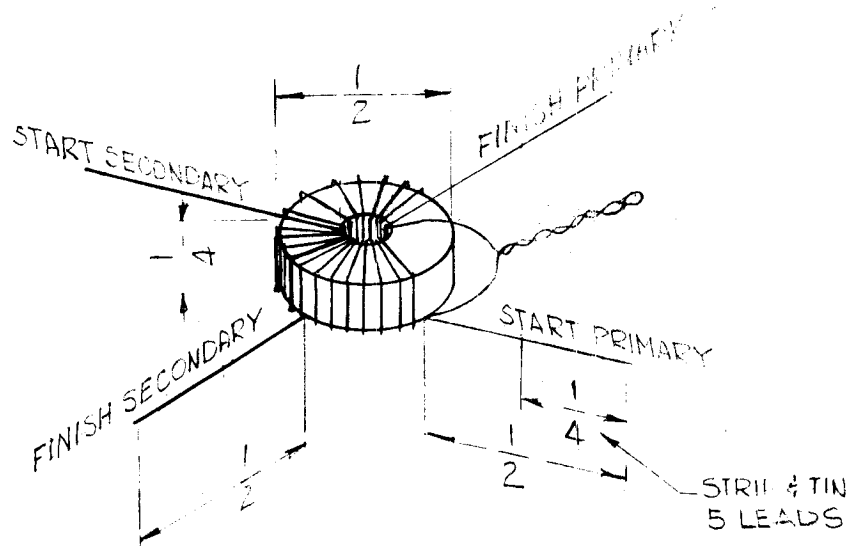
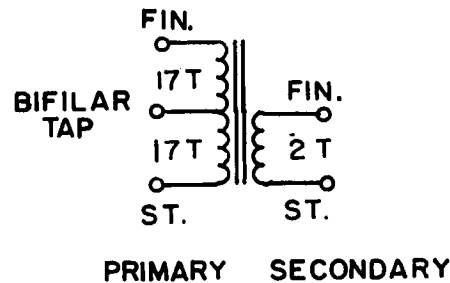


SYMBOL	FUNCTION	OPER. REQ.	USED ON	QUAN.	REQ. PER UNIT	USED ON			
						MODEL	ASS'Y. NO.	DATE	
T1703	IP INTERSTAGE	1.75-MC	TTR-10 AX-418	1	1	TTR-10	A-3222	7-11-63	TZ-124



— SCHEMATIC —



WINDING DATA

WINDING NO. 1
 NOM. IND: 5.5uh ± .300 uh
 NO. OF TURNS: 34
 NO. OF TAPS: 1
 NO. OF TURNS TAPPED: 17

WINDING NO. 2
 NOM. IND: NOT RATED
 NO. OF TURNS: 2
 NO. OF TAPS: NONE

COIL FORM DATA
 MATERIAL: POWDERED IRON

TERMINALS:
 QUAN: 5
 TYPE: WIRE LEADS (1/2 LONG)

REQ.	ITEM	PART NO.	R. KOHN	DESCRIPTION	E 3027-94	SYMBOL
STOCK SIZE			THE TECHNICAL MATERIEL CORP. MAMARONECK. NEW YORK			
MATERIAL			TRANSFORMER, INTERMEDIATE FREQ., FIXED			
SYM	DESCRIPTION	DATE	CH. NO.	DRAFTS	CHECKER	ENG. APP.
UNLESS OTHERWISE SPECIFIED DIMENSIONS ARE IN INCHES AND INCLUDE CHEMICALLY APPLIED OR PLATED FINISHES		SCALE	DO NOT SCALE			
DECIMALS .X ± .05 .XX ± .01 .XXX ± .005	TOLERANCES	FRACTIONS ± 1/64 ANGLES ± 0° 30'	CODE A	1A-3213		
FINISH & SPEC. NO.			ELEC. DES. APP.	MECH. DES. APP.	TZ-124	