

THE CONTENTS OF THIS DRAWING ARE THE EXCLUSIVE PROPERTY OF THE TECHNICAL MATERIEL CORP. ITS UNAUTHORIZED USE OR REPRODUCTION IN WHOLE OR IN PART IS STRICTLY FORBIDDEN.

REQ. PER UNIT	USED ON		
	MODEL	ASS'Y. NO.	DATE
1	HFR-1A		3-6-64
1	HFR-2		3-6-64

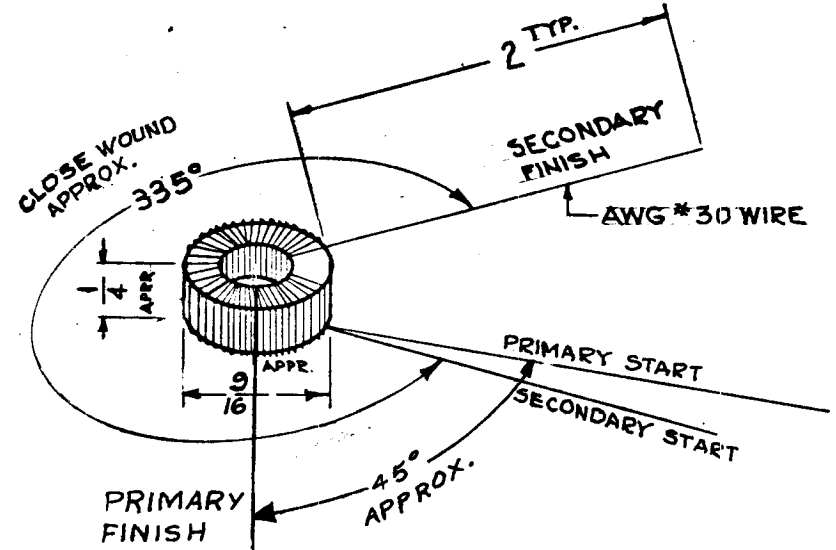
TZ 175 B

ELECTRICAL SPECIFICATIONS

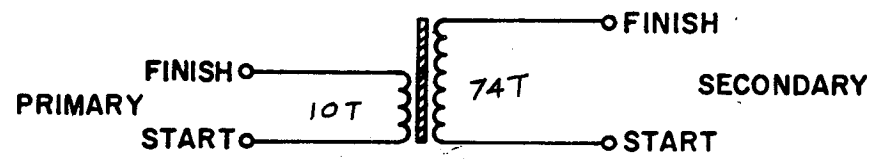
SECONDARY ~  $L = 21.2 \mu h \pm 0.6 \mu h$   
 $Q = 130 \text{ MIN. AT } 2.5 \text{ MC.}$   
 $C_{\text{dist.}} = 1.3 \mu f. \text{ (FOR REF. ONLY)}$

\* NOTE: USE TMC COIL STANDARDS FOR TEST REFERENCE.

MODEL	REQ	FUNCTION	FREQ. (MC.)	SYMBOL
HFR-1A	1	BAND*1	2-3 MC.	T1001
HFR-2	1	BAND*1	2-3 MC	T1001



SCHEMATIC DIAGRAM



B	NOTE ADDED	1-12-67	17575	RME	G.D.L.	<i>[Signature]</i>
A	PRIMARY SPEC. DELETED 4.5" DIA. 1.25" L WAS 26.1	10/1/65	14756	H.V.	<i>[Signature]</i>	<i>[Signature]</i>
Q	ORIGINAL RELEASE FOR PRODUCTION	8/3/64	<i>[Signature]</i>			
X	EXPERIMENTAL RELEASE	3-26-61		G.D.L.		

REQ.	ITEM	PART NO.	DESCRIPTION	SYMBOL
			THE TECHNICAL MATERIEL CORP. MAMARONECK, NEW YORK	
			TRANSFORMER, ANTENNA	
			BAND*1 FREQ. 2-3 MC	
			G.D.L.	<i>[Signature]</i>
			TYPE & TEMPER	HEAT TREAT. SPEC.
			DRAWN	CHECKED
			FINISH & SPEC. NO.	ELEC. DES. APP.
			MECH. DES. APP.	

UNLESS OTHERWISE SPECIFIED:  
 DIMENSIONS ARE IN INCHES  
 TOLERANCES ON  
 FRAC.  $\pm 1/64$  DEC.  $\pm .003$  ANGLES  $\pm 1/2^\circ$

SCALE: NONE | IA 3519  
 MAXIMUM ALLOWABLE TOLERANCES HAVE BEEN DETERMINED AND ANY DEVIATIONS WILL BE CAUSE FOR REJECTION.  
 REMOVE ALL BURRS AND SHARP EDGES

TZ 175 B