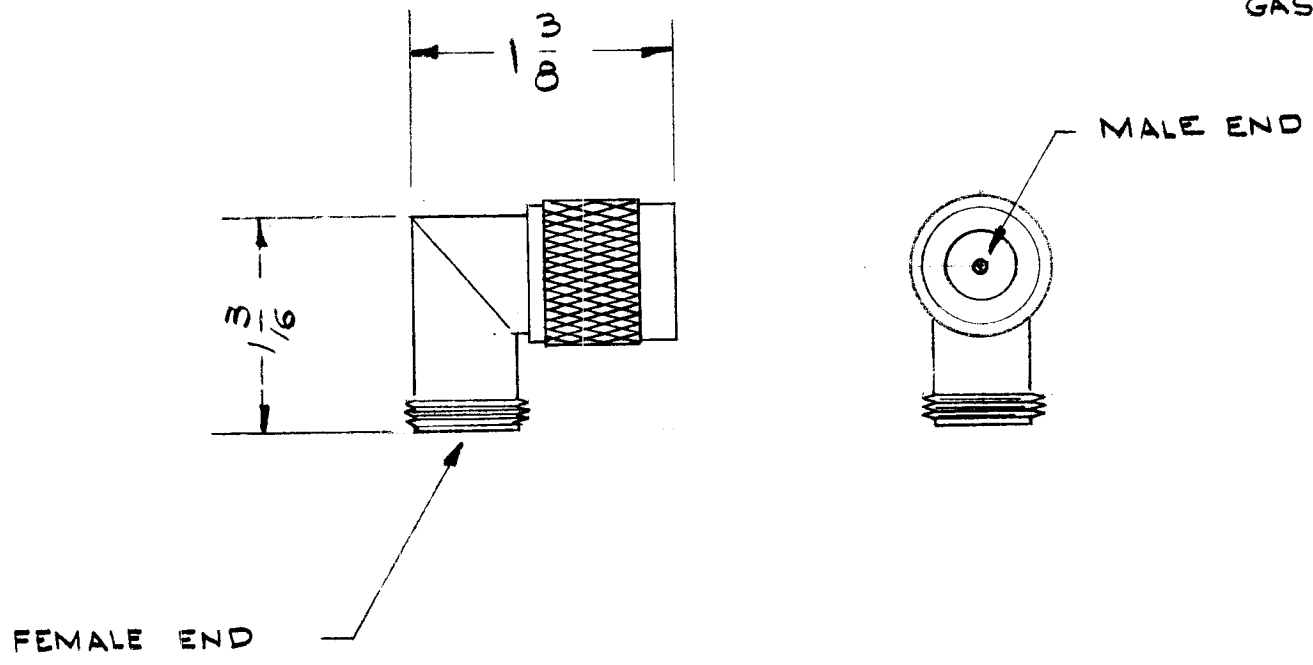
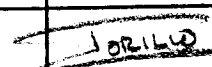





REQ. PER UNIT	USED ON		
	MODEL	ASSY. NO.	DATE
			UG-27-B/U

DIELECTRIC - TEFLON
GASKET - SILICONE



								REQ.	ITEM	PART NO.	DESCRIPTION	SYMBOL
										THE TECHNICAL MATERIEL CORP. MAMARONECK, NEW YORK		
										RIGHT ANGLE ADAPTER		
										N-SERIES		
ISSUE	ITEM	CHANGED FROM	DATE	CH. NO.	DRAFTS	CHECKER	ENG. APP.	MATERIAL		  		
TOLERANCES			SCALE:					TYPE & TEMPER	HEAT TREAT. SPEC.	DRAWN	CHECKED	FINAL APPROVAL
DEC. DIM. ± FRAC. DIM. ± ANGULAR DIM. ±			MAXIMUM ALLOWABLE TOLERANCES HAVE BEEN DETERMINED AND ANY DEVIATIONS WILL BE CAUSE FOR REJECTION. REMOVE ALL BURRS AND SHARP EDGES									UG-27-B/U
								FINISH & SPEC. NO.		ELEC. DES. APP		MECH. DES. APP