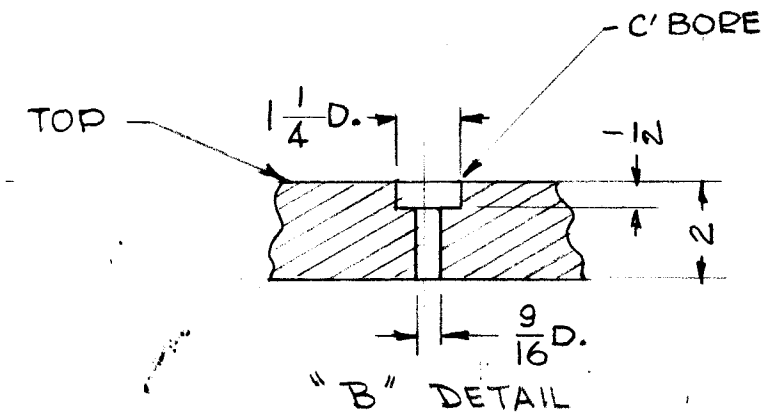


WD-132 A

REVISIONS						
SYM	DESCRIPTION	DATE	E.M.N. NO.	DRAFT	CHKD	APPR
A	DETAIL "B" 9/16 DIA. WAS 1/2 DIA.	8-5-63	9714	AIC	JAY	LB

HOLE	DESCRIPTION	REQ'D
A	9/16 DIA.	4
B	SEE DETAIL	8



1	TER 5000-3004	A-3130
Q'TY./UNIT	MODEL USED ON	ASS'Y. NO.
SCALE 1/8" = 1"	CODE	
THE CONTENTS OF THIS DRAWING ARE THE EXCLUSIVE PROPERTY OF THE TECHNICAL MATERIEL CORP. ITS UNAUTHORIZED USE OR REPRODUCTION IN WHOLE OR IN PART IS STRICTLY FORBIDDEN.		

REQ'D.	ITEM	PART NUMBER	DESCRIPTION	SYMBOL
<b>BUDETTI LIST OF MATERIAL</b>				
MATERIAL 2'x 4" CEDAR (WOOD)			<b>THE TECHNICAL MATERIEL CORP. MAMARONECK, NEW YORK</b>	
FINISH S-115 SMOOTH GRAY ENAMEL				
TITLE SUPPORT, BOTTOM MTG.				
DRAWN G.D.L.		DATE 3-2-63	FINAL APPROVAL BP	
CHECKED aa		DATE		
ELECT. DES. GAB		DATE		
MECH. DES.		DATE		
DECIMALS .X ± .05 .XX ± .01 .XXX ± .005			TOLERANCES FRACTIONS ± 1/64 ANGLES ± 0° 30'	
SHEET			REV. LTR. A	

NOTES