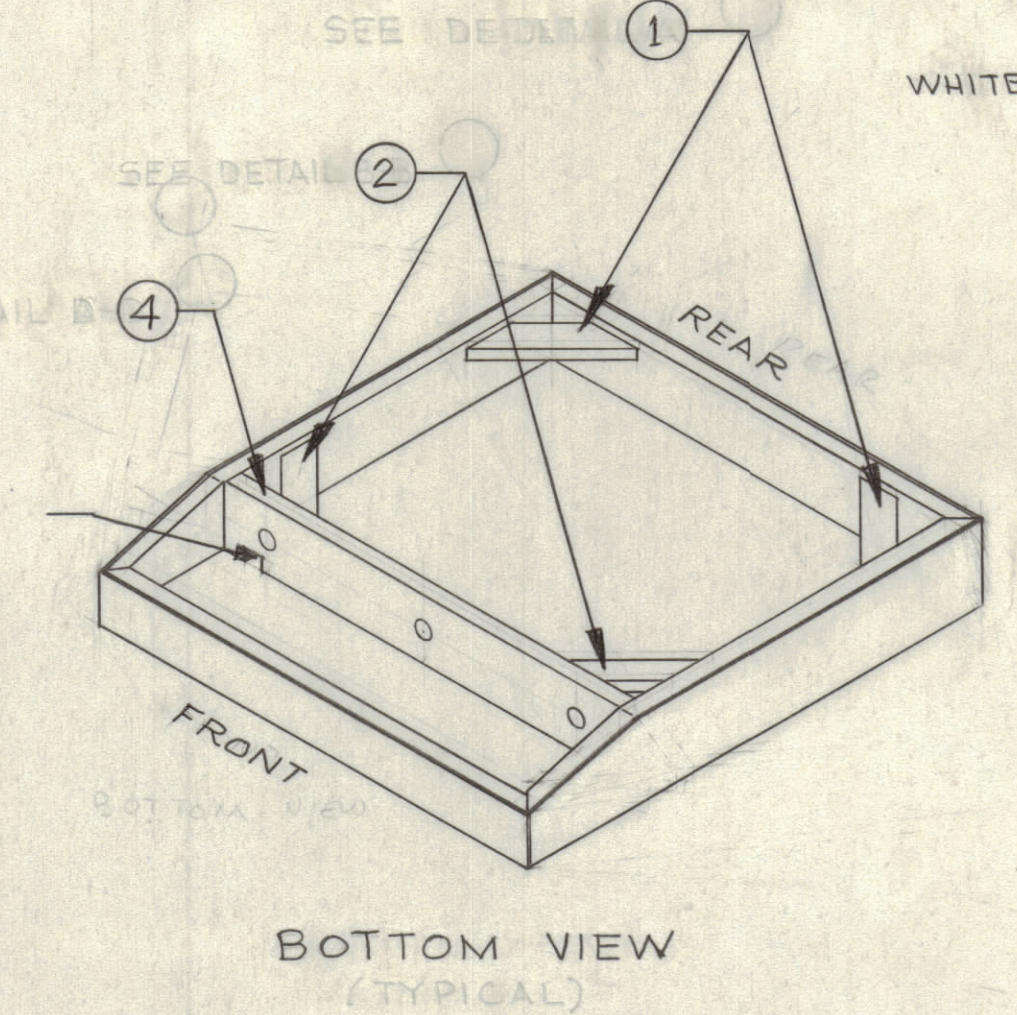
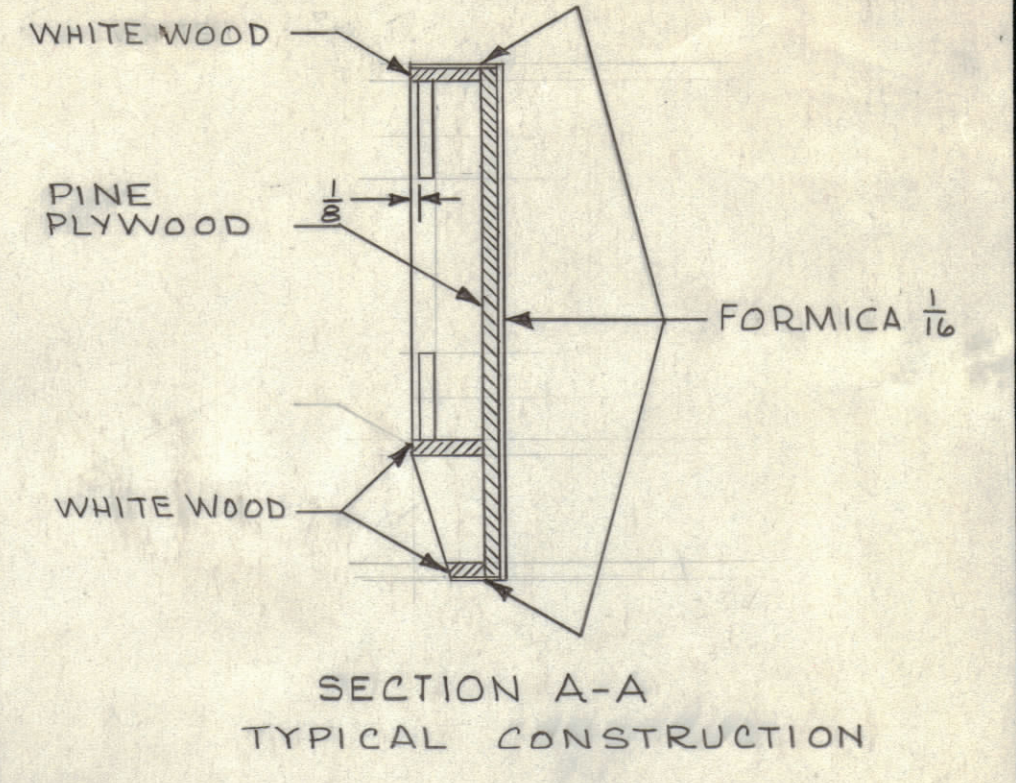
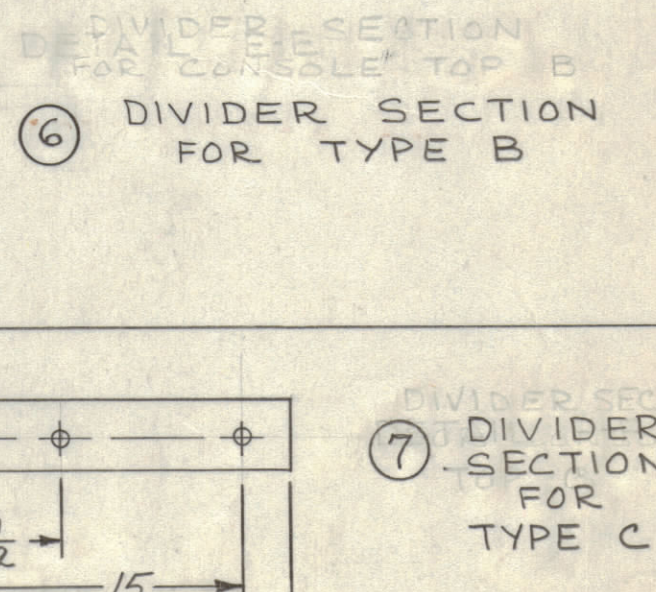
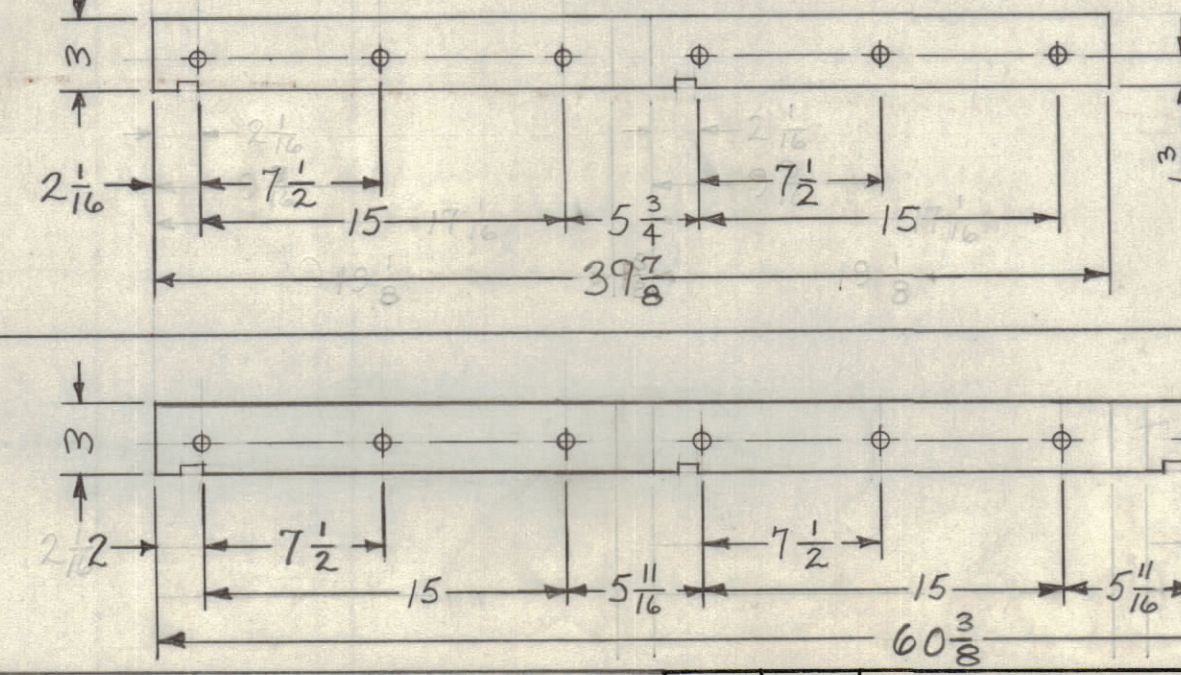
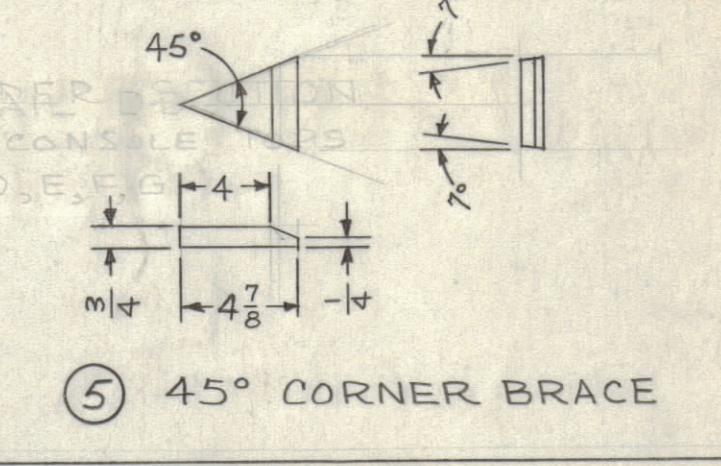
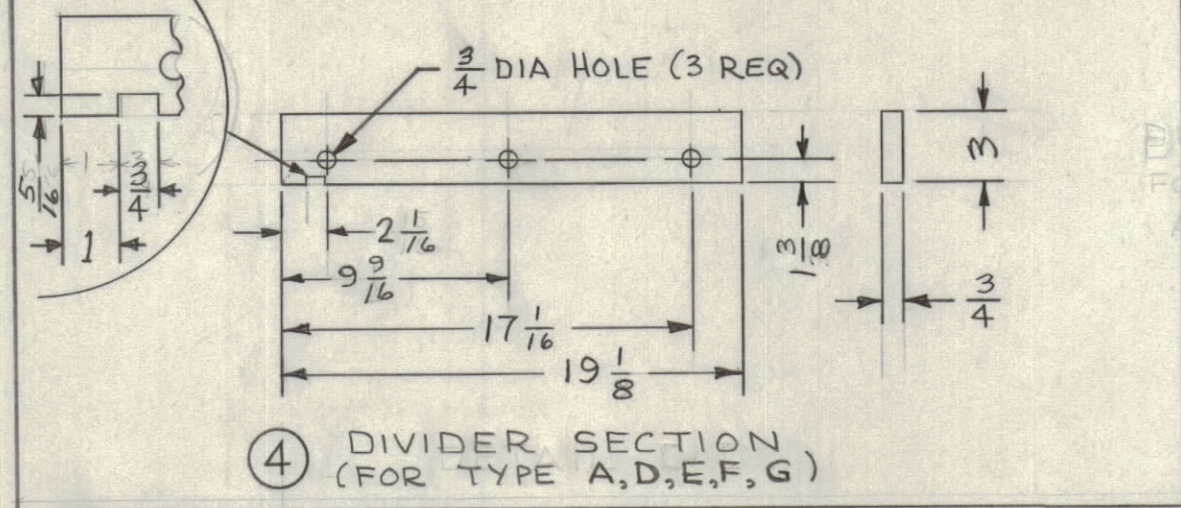
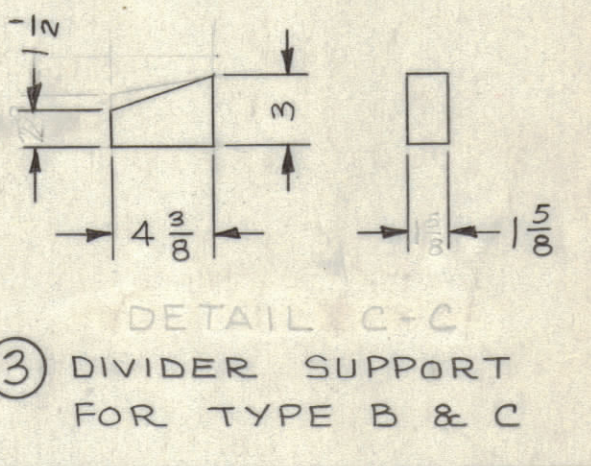
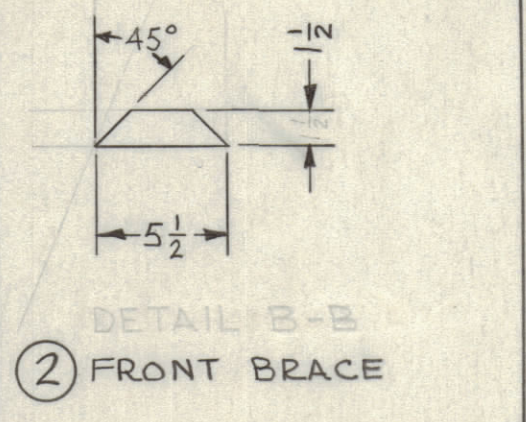
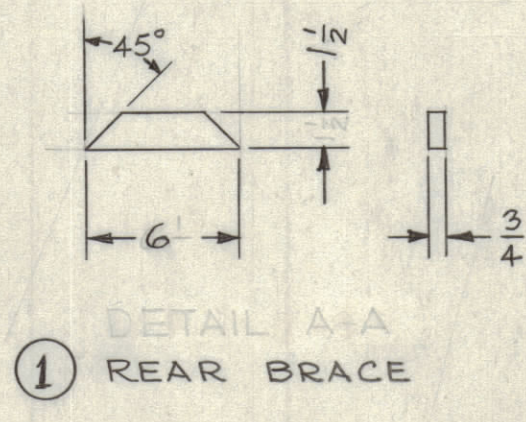


REVISIONS							
ZONE	SYM	DESCRIPTION	DATE	E.M.N. NO.	DRAFT	CHKD	APPD



A HOLES FOR 1/2 DIA X 3/16 LG DOWEL
B HOLE FOR 1/4 BOLT W/WING NUTS



TMC PART No.	CONSOLE TOP DESIGNATION	No. OF CONSOLE UNITS USED	DESCRIPTION
WD-133-1	A	1	RECTANGLE - 20 3/4 x 21 3/4 x 3 3/4
WD-133-2	B	2	RECTANGLE - 41 1/2 x 21 3/4 x 3 3/4
WD-133-3	C	3	RECTANGLE - 62 x 21 3/4 x 3 3/4
WD-133-4	E	*	45 degree ANGLE LEFT
WD-133-5	D	*	45 degree ANGLE RIGHT
WD-133-6	F	*	45 degree ANGLE LEFT & RIGHT
WD-133-7	G	*	90 degree CORNER, UNIT 45 degree

* INDICATES THAT THESE CONSOLE TOPS CAN BE USED WITH BASIC TOPS WD-133-1, -2, -3 FOR "L" OR "U" CONFIGURATION

NOTES:
1 - OUTSIDE DIMENSIONS SHOWN IS FINISH SIZE WITH FORMICA.

NOTES

REQ'D	ITEM	PART NUMBER	DESCRIPTION	SYMBOL
C. GEBHARDT LIST OF MATERIAL				
MATERIAL WHITE WOOD PINE PLYWOOD GRAY FORMICA				
THE TECHNICAL MATERIEL CORP. MAMARONECK, NEW YORK				
TITLE CONSOLE TOPS - BOTTOM VIEW				
SCALE 1/8" = 1 INCH	MODEL USED ON	ASS'Y. NO.	UNLESS OTHERWISE SPECIFIED DIMENSIONS ARE IN INCHES AND INCLUDE CHEMICALLY APPLIED OR PLATED FINISHES	DRAWN W. TANTILLO
DECIMALS 1 ± .05 .XX ± .01 .XXX ± .005	TOLERANCES	FRACTIONS ± 1/64 ANGLES ± 0° 30'	ELECT. DES. DATE	DATE 7-7-63
THE CONTENTS OF THIS DRAWING ARE THE EXCLUSIVE PROPERTY OF THE TECHNICAL MATERIEL CORP. ITS UNAUTHORIZED USE OR REPRODUCTION IN WHOLE OR IN PART IS STRICTLY FORBIDDEN.				MECH. DES. DATE
WD-133				REV. LTR.