

NAVSHIPS
0967-214-5010

UNCLASSIFIED

★
TECHNICAL MANUAL

for

RADIO TRANSMITTER
MODELS GPT-750F-2,
GPT-750G-2 AND GPT-750H-2



THE TECHNICAL MATERIEL CORPORATION
MAMARONECK, N. Y.

OTTAWA, CANADA

★

NAVSHIPS
0967-214-5010

UNCLASSIFIED

★
TECHNICAL MANUAL

for

RADIO TRANSMITTER
MODELS GPT-750F-2,
GPT-750G-2 AND GPT-750H-2



THE TECHNICAL MATERIEL CORPORATION
MAMARONECK, N.Y.

OTTAWA, CANADA

★



THE TECHNICAL MATERIEL CORPORATION

C O M M U N I C A T I O N S E N G I N E E R S

700 FENIMORE ROAD

MAMARONECK, N. Y.

Warranty

The Technical Materiel Corporation, hereinafter referred to as TMC, warrants the equipment (except electron tubes,* fuses, lamps, batteries and articles made of glass or other fragile or other expendable materials) purchased hereunder to be free from defect in materials and workmanship under normal use and service, when used for the purposes for which the same is designed, for a period of one year from the date of delivery F.O.B. factory. TMC further warrants that the equipment will perform in a manner equal to or better than published technical specifications as amended by any additions or corrections thereto accompanying the formal equipment offer.

TMC will replace or repair any such defective items, F.O.B. factory, which may fail within the stated warranty period, PROVIDED:

1. That any claim of defect under this warranty is made within sixty (60) days after discovery thereof and that inspection by TMC, if required, indicates the validity of such claim to TMC's satisfaction.
2. That the defect is not the result of damage incurred in shipment from or to the factory.
3. That the equipment has not been altered in any way either as to design or use whether by replacement parts not supplied or approved by TMC, or otherwise.
4. That any equipment or accessories furnished but not manufactured by TMC, or not of TMC design shall be subject only to such adjustments as TMC may obtain from the supplier thereof.

Electron tubes* furnished by TMC, but manufactured by others, bear only the warranty given by such other manufacturers. Electron tube warranty claims should be made directly to the manufacturer of such tubes.

TMC's obligation under this warranty is limited to the repair or replacement of defective parts with the exceptions noted above.

At TMC's option any defective part or equipment which fails within the warranty period shall be returned to TMC's factory for inspection, properly packed with shipping charges prepaid. No parts or equipment shall be returned to TMC, unless a return authorization is issued by TMC.

No warranties, express or implied, other than those specifically set forth herein shall be applicable to any equipment manufactured or furnished by TMC and the foregoing warranty shall constitute the Buyers sole right and remedy. In no event does TMC assume any liability for consequential damages, or for loss, damage or expense directly or indirectly arising from the use of TMC Products, or any inability to use them either separately or in combination with other equipment or materials or from any other cause.

*Electron tubes also include semi-conductor devices.

RADIO TRANSMITTER

MODELS GPT-750 F-2, GPT-750 G-2 AND GPT-750 H-2

With the exception of the sideband exciters, Radio Transmitters GPT-750 F-2, GPT-750 G-2 and GPT-750 H-2 are similar to Radio Transmitters GPT-750 D-2 and GPT-750 E-2.

The existing technical manual (IN-315) for GPT-750 D-2 and GPT-750 E-2 will apply as written with the following exceptions:

1. GPT-750 F-2 uses Sideband Exciter SBE-8.
2. GPT-750 G-2 uses Sideband Exciter SBE-9.
3. GPT-750 H-2 uses Sideband Exciter SBE-10.

CHANGE NO. 1 GPT-750B2



INSTRUCTION BOOK CHANGE NOTICE

Date 3/19/65

Manual affected: Technical Manual for Radio Transmitter, IN -313
Model GPT-750B2

1. Change paragraph 6-3c, on pages 6-5 and 6-6, as follows:
 - a. Step 1, from: "... indicator reads 2000 kc., "to: "... indicator reads 1900 kc."
 - b. CAUTION, step 6 from: "2000.000 kc." to: "1900.000 kc."
The error is in two places; correct both.
2. Change figure 6-9, pages 6-19/6-20, as follows:
 - a. Neatly cut out figure 1 (attached to this change notice) and appropriately affix it to figure 6-9 in the manual.
 - b. Add the following as NOTE 5: UNLESS OTHERWISE SPECIFIED, ALL IDENTICALLY NUMBERED FRONT AND REAR TERMINALS ON SECTION A, OR SECTION B, OR SECTION C OF SWITCH S601 ARE ELECTRICALLY CONNECTED.
 - c. Reverse diodes CR601 and CR602; they are drawn backwards.
3. Change the parts list, page 7-19, as follows:
 - a. Delete description for C608.
 - b. Write the following description for C608: CAPACITOR: fixed; 4 uf, +10%; 1,000 wvdc.
 - c. Write the following TMC part number for C608: CP40C2FG405KYY.
 - d. Change description for C609 from: "Same as C604," to: "Same as C608."

(EMN
11585)

SHOULD ADDITIONAL COPIES OF THIS CHANGE NOTICE BE REQUIRED, PLEASE CONTACT:

THE TECHNICAL MATERIEL CORP., 700 Fenimore Road, Mamaroneck, New York

Attn.: Director of Eng. Services.

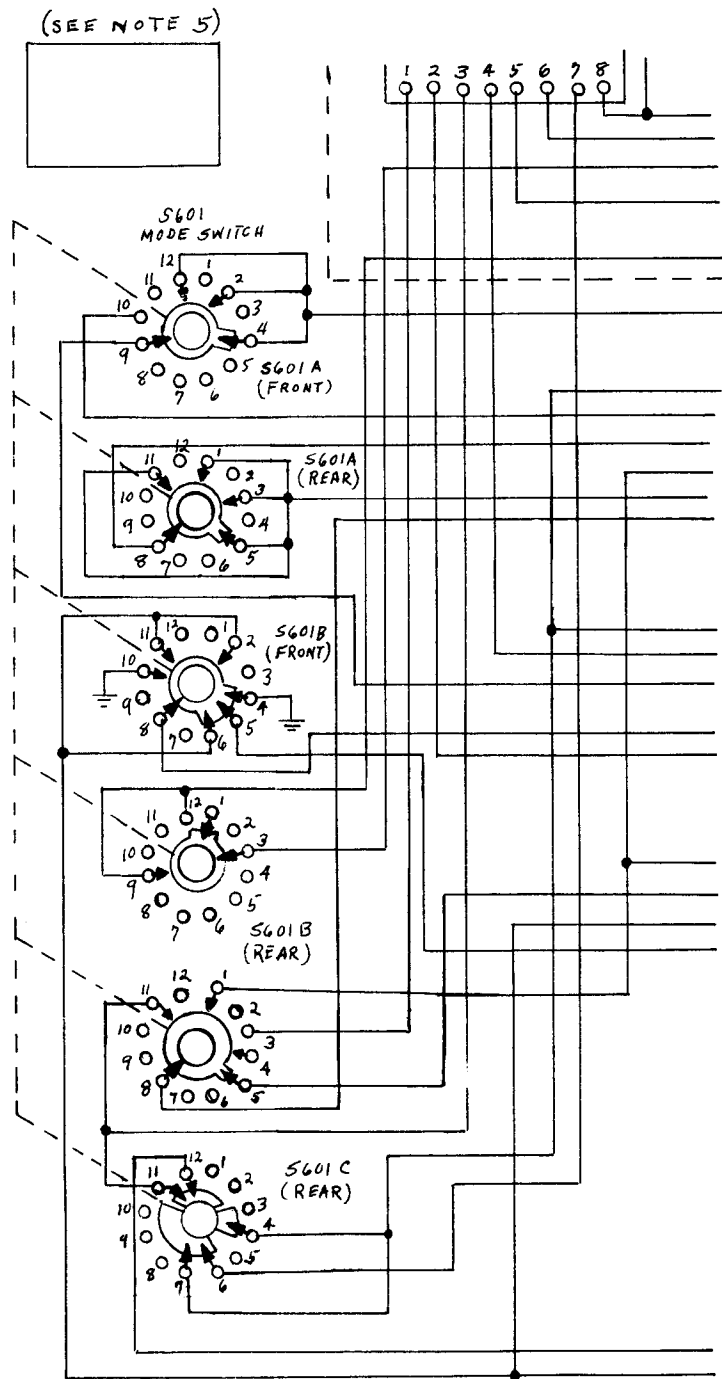


Figure 1

CHANGE NO. 2 GPT-750B2



INSTRUCTION BOOK CHANGE NOTICE

Date 3/9/66

Manual affected: Radio Transmitter, Model GPT-750B2 IN -313
(Issue Date: 1 April 1964)

Page 6-6.

Change paragraph 6-5b to read as follows:

b. The following items should be cleaned with a soft cloth and trichlorethylene or ethylenedichloride.

CHANGE NO. 3 GPT-750 B-2



INSTRUCTION BOOK CHANGE NOTICE

Date 9/19/66

Manual affected: Radio Transmitter, Model IN -313
GPT-750 B-2 (Issue Date: 1 April 1964)

Page 2-4. Paragraph 2-5 a.

Change the third sentence of paragraph 2-5 a. to read:

Relay TRL-3 is supplied for use with coaxial transmission lines of 50-ohm characteristic impedance; the TRL-4 is supplied for use with 70-ohm impedance coaxial transmission line.

SHOULD ADDITIONAL COPIES OF THIS CHANGE NOTICE BE REQUIRED, PLEASE CONTACT:

THE TECHNICAL MATERIEL CORP., 700 Fenimore Road, Mamaroneck, New York

Attn.: Director of Eng. Services.

CHANGE NO. 4



INSTRUCTION BOOK CHANGE NOTICE

Date

Oct 11, 1967

Manual affected:

GPT-750A2 GPT-750B2

IN

312-313

Paragraph 2-5. Installation of Accessories.
Add the following:

d. For interlock protection when more than one accessory are to be used with the transmitter, the interlock circuits of the accessories must be connected in series. Terminal 27 of E502 can be used to accomplish this

Per EMN 18552

Note: — type new original

SHOULD ADDITIONAL COPIES OF THIS CHANGE NOTICE BE REQUIRED, PLEASE CONTACT:

THE TECHNICAL MATERIEL CORP., 700 Fenimore Road, Mamaroneck, New York

Attn.: Director of Eng. Services.