

TOTAL SHEETS-  
USED ON  
MODEL-

FOR

MODEL A-5832

TITLE FX308

LAST SYMBOLS

C12  
L4

CONSISTS OF  
SUPPORTING LISTS

MISSING SYMBOLS

C1

REVISIONS

REV.	SHEET(S)	DATE	APPR.

COMPILED \_\_\_\_\_

CHECKED J.B.

KEY PUNCHED \_\_\_\_\_

ENGINEERING JOB ORDER

# E \_\_\_\_\_

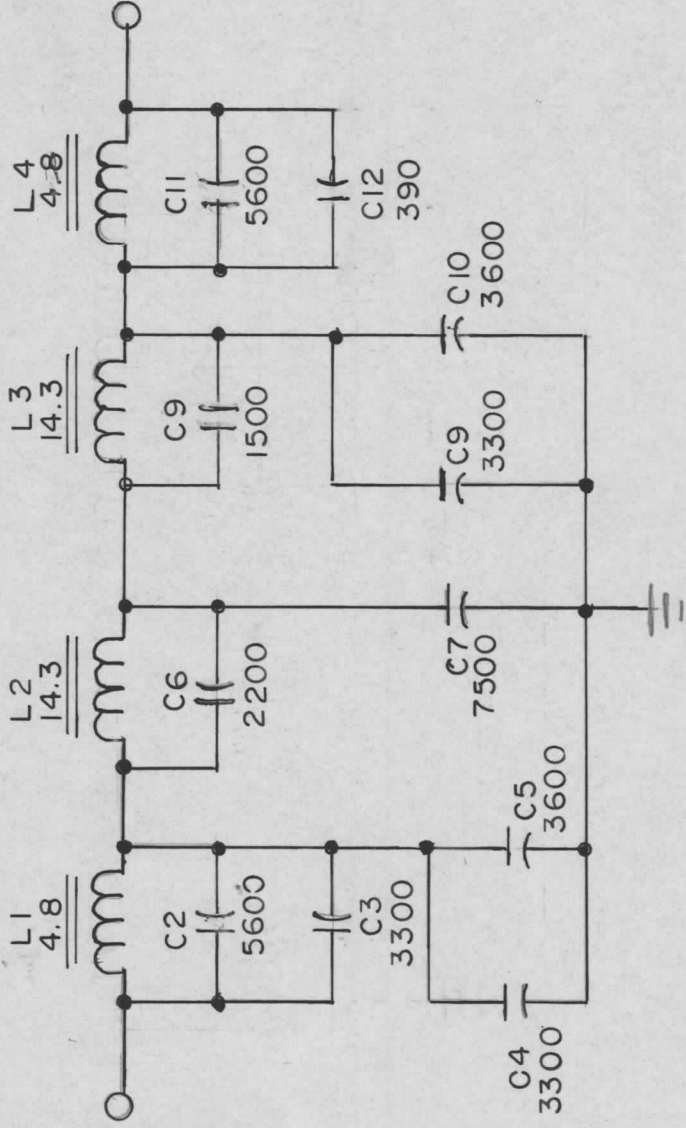
§ FOR SPECIAL NOTES,  
REFER TO S1200.

# LIST

USED ON A5832

SHEET 1 OF 1

PART NUMBER	DESCRIPTION	USED ON	QTY.	QTY. PER UNIT	REFERENCE SYMBOLS	SPECIAL NOTES REFER TO S1200
CM112F152GF	Cap., Mica			1	C8	
CM112F222GF	" "			1	C6	
CM112F332GF	" "			2	C4, C9	
CM112F362GF	" "			2	C5, C10	
CM111F391GF	" "			2	C3, C12	
CM112F562GF	" "			2	C2, C11	
CM112F752GF	" "			1	C7	
CL10040-7	Coil Torroid			2	L1, L4	
CL10040-8	" "			2	L2, L3	
PC10018	Printed Circuit Bd.			1		
CK2288	Schematic, Dia.			1		



LOW PASS FILTER  
FX 308

C/S