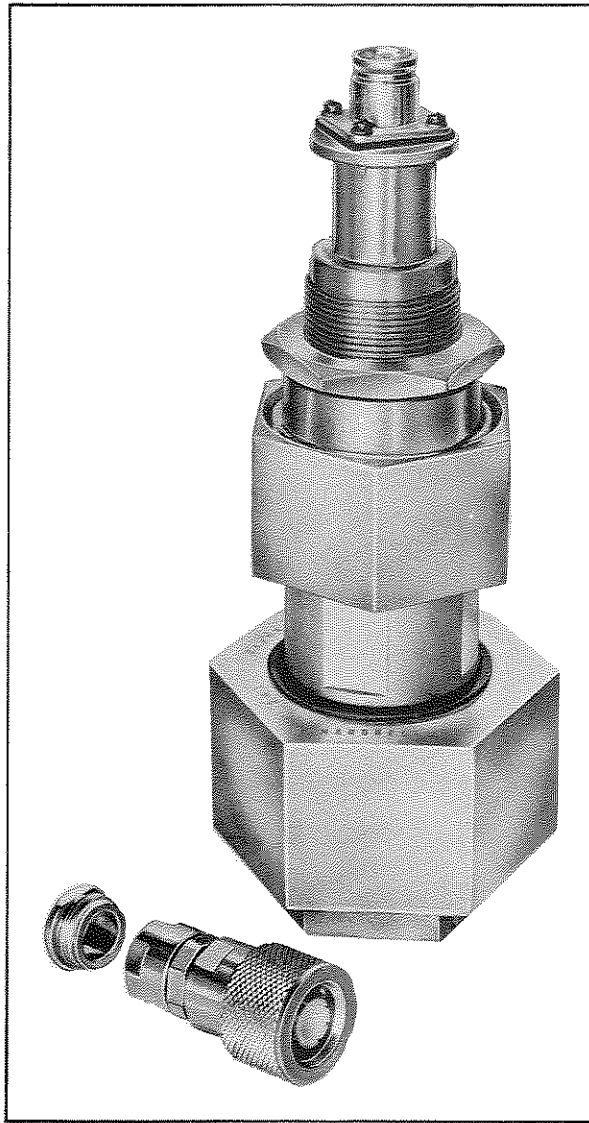
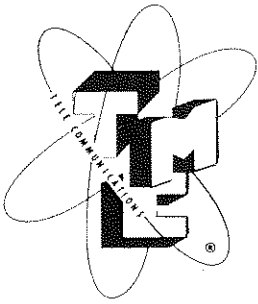


SALES SERVICE BULLETIN NUMBER 199

Connector Adapter, Model TCA-85/QDS

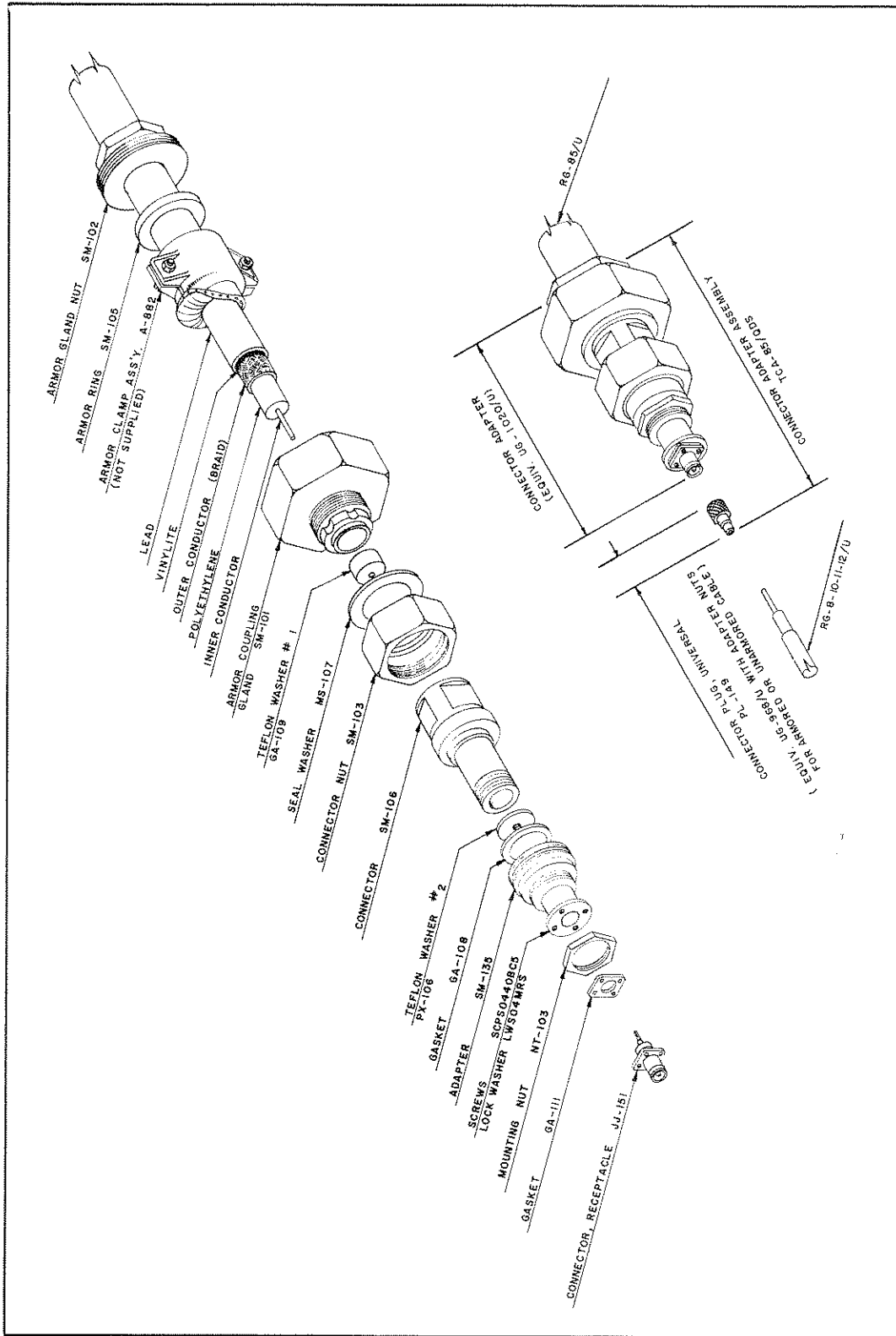


The TMC Model TCA-85/QDS, Connector Adapter is an improvement on the units previously used for adapting from RG-85/U to RG-11 and 12/U incorporating the new series QDS, Quick Disconnect RF connectors. This connector adapter is equivalent to the UG-1210/U, covered by BuShips Dwg. REC 49355.

The Model TCA-85/QDS is supplied with the corresponding RF Connector, Plug, TMC Part PL-149, which provides adaptation to cables of 4,000 volt rating with .405" OD such as RG-8, 10, 11 and 12/U.

The units are properly gasketed to keep the cables water-tight at the fittings.

The Technical Materiel Corporation has available the complete line of QDS and QDL connectors in panel assembly form. See Sales Service Bulletin Number 197 for listings.



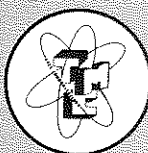
Connector Adapter Assembly, Model TCA-85/QDS

THE TECHNICAL MATERIEL CORPORATION

700 FENIMORE ROAD

MAMARONECK, NEW YORK

CABLE
TEPEI
MAMARONECK, N.Y.



COMMUNICATION ENGINEERS

IN CANADA:
TMC (CANADA) LTD.
OTTAWA, ONTARIO